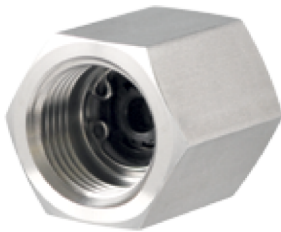


**Type VB15 / VB20**

**VB15**

**VB20**
**Your advantages**

Series	VB
	<ul style="list-style-type: none"> <li>• Compact design</li> <li>• Easy installation</li> <li>• Reliable, no wearing parts</li> <li>• No auxiliary power required</li> </ul>

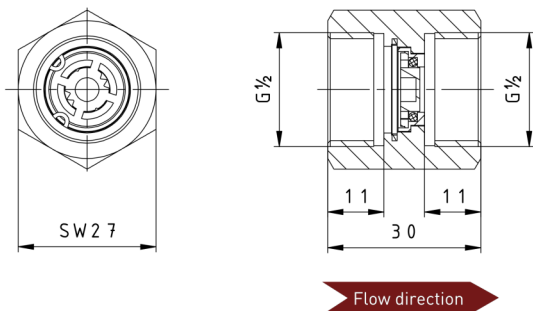
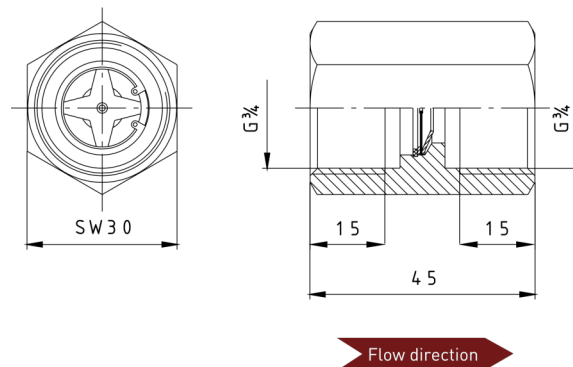
**Technical data**

Type	Set value (flow rate) [l/min]*
VB1503SR...	3
VB1504SR...	4
VB1506SR...	6
VB1507SR...	7
VB1508SR...	8
VB1510SR...	10
VB1512SR...	12
General data	
<b>Tolerance of control</b>	≤ 5 l/min: ±15 % > 5 l/min: ±10 %
<b>Medium temperature</b>	10...60 °C
<b>Working pressure</b>	1...10 bar
<b>Diameter</b>	DN 15
<b>Process connection</b>	G½

\* Water, 20 °C

**Technical data**

Type	Set value (flow rate) [l/min]*
VB2001ER...	1
	Set values 1...30 l/min in 1 l/min steps available
VB2030ER...	30
General data	
<b>Tolerance of control</b>	< 3 l/min: ±15 % > 3 l/min: ±10 %
<b>Medium temperature</b>	-20...200 °C
<b>Working pressure</b>	2...10 bar
<b>Diameter</b>	DN 20 (optional DN 15)
<b>Process connection</b>	G¾ (optional G½)

**Type VB15 / VB20**
**VB15**

**VB20**

**Materials in contact with fluid**

Type	VB15	VB20
<b>Pipe section</b>	Brass CW617N or stainless steel 1.4571	Brass CW617N or stainless steel 1.4305
<b>Inner parts</b>	EPDM, Hostaform C POM, stainless steel 1.4422	Stainless steel 1.4310 / 1.4301 / A2

**Order code**

Set value	
3 l/min	VB1503SR
4 l/min	VB1504SR
6 l/min	VB1506SR
7 l/min	VB1507SR
8 l/min	VB1508SR
10 l/min	VB1510SR
12 l/min	VB1512SR
Material	
Brass	MS1
Stainless steel	VA1
<b>Example order number</b>	<b>VB1503SR MS1</b>

**Order code**

Set value	
1 l/min	VB2001ER
2 l/min	VB2002ER
Requested set value in steps of 1 l/min	
30 l/min	VB2030ER
Material	
Brass	MS3
Stainless steel	VA3
<b>Example order number</b>	<b>VB2001ER MS3</b>