

The battery powered FLOMIC FL5024, FL5025 and FLOMIC FL5044, FL5045 ultrasonic flow meters are intended for measurement of cold or hot clean water, such as drinking water and industrial clean water.

FLOMIC FL5024, FL5025, FL5044, FL5045

The battery-powered **FLOMIC FL5024, FL5025 and FLOMIC FL5044, FL5045 ultrasonic water meters** are intended for operational and invoicing measurements of instantaneous flow rate, pressure and consumption in water piping in observance of standard EN 14154 in water works, water distribution systems and other industrial applications. These water meters are in compact or remote version with the IP 68 protection class. They are characterised by high measurement accuracy and long-term stability over a wide range of measured values. The meters do not need any external power supply, do not include any moving parts and, have significantly lower hydraulic losses. The technical parameters and other features of the FLOMIC water meters make them suitable not only for water consumption measurements, but also for water-leak tracking and monitoring of the general condition of water-supply networks, where the meter output signals can be connected via data transfer systems to remote computer control stations. The measurement method utilised by these meters is a single-beam (FL5024, FL5025) or dual-beam (FL5044, FL5045) transit-time pulse method based on evaluation of the time needed for an ultrasonic signal to cross the distance between two measuring transducers. In the standard version, the meter measures instantaneous flow rate (in Gal/min) and the total volume of water passed through the meter (in Gal) in the given flow direction. The measured data are converted into passive pulse output signals.

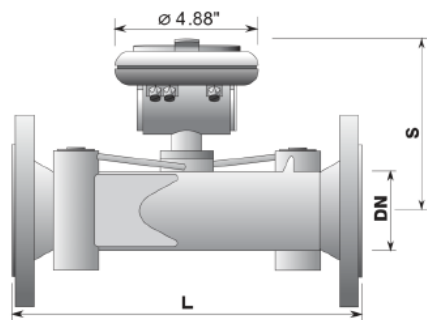
OPTIONAL METER ACCESSORIES:

- bi-directional flow rate and volume measurements with visual and electronic indication of the actual flow rate direction
- measurement and display of instantaneous water pressure values within the range of 1 to 16 bar / up to 232 psi
- using a passive current output signal 4 to 20 mA, monitoring the instantaneous flow rate or flow pressure values
- measured data storage with user-selectable sampling period of 1 minute to 1 year
- actual and stored data reading via the USB or RS 232 interface
- connection to a remote data transfer system by means of a GSM module
- use of alternative measurement units (m³/hour or litre/sec)
- application of the meter within drinking-water supply systems
- power supply via the 4 to 20 mA current line

FLOMIC FL5044, FL5045

TECHNICAL PARAMETERS

		FLOMIC FL5024, FL5025								
		1 1/4"	1 1/2"	2"	2 1/2"	3"	4"	5"	6"	8"
nominal size		1 1/4"	1 1/2"	2"	2 1/2"	3"	4"	5"	6"	8"
overload flowrate Q ₄ [Gal/min]		55	88	138	220	347	550	881	1376	2201
permanent flowrate Q ₃ [Gal/min]		44	70	110	176	277	440	704	1101	1761
minimum flowrate Q ₁ [Gal/min]	FL502x	0.18	0.28	0.44	0.70	0.88	1.40	2.24	3.50	5.59
	FL504x				0.56	0.69	1.10	1.76	2.75	4.40
pulse output constant k _i [litres/pulse]		10	10	25	50	50	100	100	100	250
flowrate ratio Q ₂ /Q ₁ for T30	FL502x	250	250	250	250	315	315	315	315	315
	FL504x				315	400	400	400	400	400
water pressure class		MAP 16								
temperature class		T50 (FL5024, FL5044), T90 (FL5025, FL5045)								
flow-profile	before meter	U5 (FL5044, FL5045), U10 (FL5024, FL5025)								
sensitivity class	after meter	D3 (FL5044, FL5045), D5 (FL5024, FL5025)								
pressure loss class		ΔP 25								
climatic and mechanical resistance class		B (optional O)								
electromagnetic environment		E1, E2								
flowrate sampling period		1 sec								
display unit		single-line 8 character LC display								
power supply		Li battery 3.6 V/19 Ah - lifetime 8 years in standard meter version								
protection class		IP 68								
output (insulated)		measured flow-rate values indicated in the form of passive pulse output U = 3 to 30 V, I = 0.002 to 10 mA, t _{imp} = 30 ms								
optional accessories		passive current output 4 to 20 mA, U = 10 to 24 V								
	bi-directional flow-rate measurement	+ passive pulse output, U = 3 to 30 V, I = 0.002 to 10 mA, t _{imp} = 30 ms								
		- passive pulse output, U = 3 to 30 V, I = 0.002 to 10 mA, t _{imp} = 30 ms								
		passive current output 4 to 20 mA, U = 10 to 24 V, in combination with passive electric contact for indication of the actual flow-rate direction								
		optically isolated interfaces USB, RS 232 or RS 232 + USB converter								
		GSM module								



**FL5024 (compact version), FL5025 (remote version)
FL5044 (compact version), FL5045 (remote version)**

BASIC DIMENSION AND WEIGHT

size	1 1/4"	1 1/2"	2"	2 1/2"	3"	4"	5"	6"	8"
L [in]	10.24	11.81	11.8	11.81	13.8	13.8	13.8	13.8	13.8
S [in]	5.51	5.71	5.91	6.10	6.3	6.5	7.09	7.48	8.07
weight [lb]	15	18	22	24	33	39	50	57	80

Certified according to MID (TCM 142/11 - 4817)
Certified according to OIML R49