

A compact pressure switch for low pressure applications. Suitable for pneumatic, water, and any low-pressure hydraulic applications.

Features

- Factory set or field adjustable
- Compact size
- Cost effective

Applications Include:

- Pneumatic system control
- Car washes
- Low pressure filter monitoring

Technical Specifications

Electrical

Max: 0.5A - 48V

Protection

IP00

Optional: Rubber Boot IP54 IP65

Order code: P-RB

Max Fluid Temperature

100°C

Mechanical Working Life

1,000,000 Cycles

Diaphragm Material:

NBR and Teflon

Housing Material:

Standard: Zinc Plated Steel

Optional: Stainless Steel



Normally Open



Normally Closed

Maximum Overpressure:

800 bar

Maximum Working Pressure

450 bar

Weight:

~75g

Pressure Ranges:

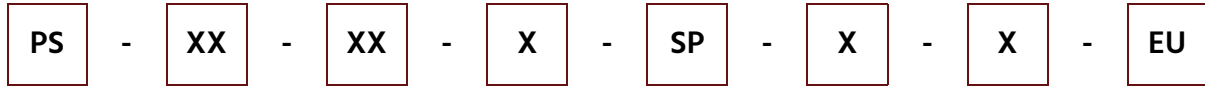
PS-H4: 50-150 bar

PS-H6: 100-300 bar

Tolerance @ 20°C

PS-H4: $\pm 2 \div 10$

PS-H6: $\pm 5 \div 15$



Pressure Switch

Pressure Range

0.1-1 bar	L2
1-10 bar	L7
10-20 bar	M3
20-50 bar	M5

Port Size

1/8" NPT Male	2M
1/8" BSP Male	2G
1/4" BSP Male	4G

* Other options available upon request

Seal Material

NBR + Teflon	4
--------------	---

* Other options available upon request

Body Material

Brass	2
Zinc Plated Steel	1

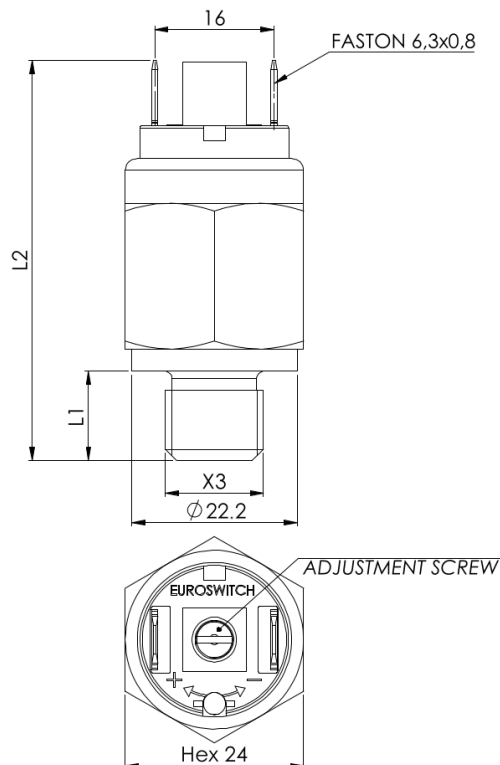
* Other options available upon request

Electrical Termination

Spade Terminal	SP
----------------	----

Circuit

Normally Open	A
Normally Closed	B



Optional extra:

Protective Cap IP54 IP65

Order code: *P-RB*



"Rubber Boot"

