

A compact pressure switch suitable for high pressure applications. Featuring a piston style switching mechanism, allowing for excellent resistance to high pressure conditions.

Features

- Factory set or field adjustable
- Wide adjustment range
- High proof pressures
- Cost effective

Applications Include:

- Hydraulic system control
- Material handling equipment
- Lubrication systems

Technical Specifications

Electrical

Max: 0.5A - 48V

Protection

IP00

Optional: Rubber Boot IP54 IP65

Order code: P-RB

Max Fluid Temperature

100°C

Mechanical Working Life

1,000,000 Cycles

Seal Material:

NBR and Teflon

Housing Material:

Standard: Zinc Plated Steel

Optional: Stainless Steel



Normally Open



Normally Closed

Maximum Overpressure:

800 bar

Maximum Working Pressure

450 bar

Weight:

~75g

Pressure Ranges:

PS-H4: 50-150 bar

PS-H6: 100-300 bar

Tolerance @ 20°C

PS-H4: $\pm 2 \div 10$

PS-H6: $\pm 5 \div 15$

PS - **XX** - **XX** - **X** - **SP** - **X** - **X** - **P** - **EU**

Pressure Switch

Pressure Range

50-150 bar	H4
100-300 bar	H6

Port Size

¼" BSPP Male (Standard)	4G
-------------------------	----

* Other options available upon request

Circuit

Normally Open	A
Normally Closed	B

Piston

Seal Material

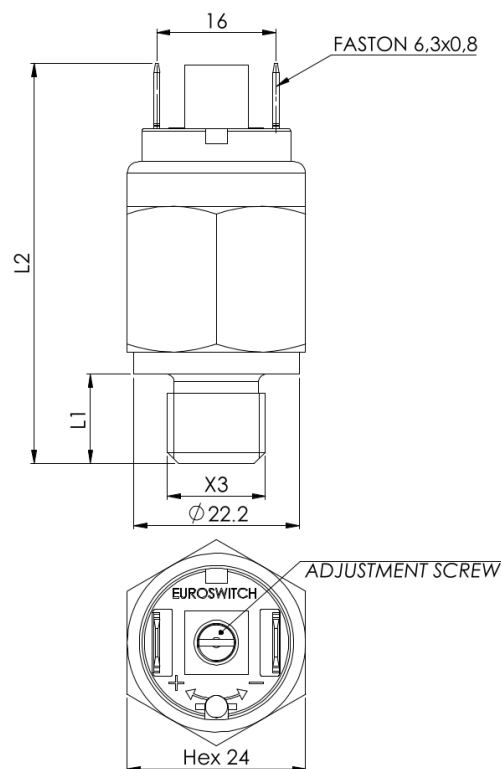
NBR + Teflon	4
--------------	---

Body Material

Zinc Plated Steel (Standard)	1
Stainless Steel	3

Electrical Termination

Spade Terminal	SP
----------------	----



Optional extra:

Protective Cap IP54 IP65

Order code: P-RB



"Rubber Boot"

