

A robust pressure switch with full metal stops for demanding applications.

Features a heavy steel body providing high proof pressures as well as an outstanding burst pressure rating. Excellent for hydraulic applications that may see system pressure shock.

## Features

- Snap action micro switch
- Factory set or field adjustable
- Full metal stops
- High proof pressures

## Applications Include:

- Industrial equipment
- Scissor lifts
- Presses
- Cranes

## Technical Specifications

### Electrical

5A [12/24 VDC, 125 VAC] or 3A [250 VAC]

### Protection

**DIN 43650A (18 mm):** IP65

### Media Temperature Range

**Nitrile:** -29°C to 82°C

**Viton:** -5°C to 120°C

**HNBR:** -29°C to 120°C

**EPDM:** -29°C to 120°C

### Ambient Temperature Range:

-40°C to 82°C

### Mechanical Life Expectancy

1,000,000 Cycles @ 69 Bar

### Diaphragm Material:

**Standard:** Nitrile

**Optional:** Viton, EPDM

### Housing Material:

**Standard:** Zinc Plated Steel

**Optional:** Stainless Steel

### Maximum Overpressure:

827 bar

### Repeatability

+/- 2% of full set point range at 20°C

### Differential

7-30% of setting

### Weight:

0.31kg

### Pressure Ranges:

**PS-L9:** 3.5-10 bar

**PS-M4:** 10-45 bar

**PS-M6:** 35-120 bar

**PS-H7:** 108-410 bar



**PS** - **XX** - **XX** - **C** - **XX** - **X** - **X** - **RA** - **HP** - **AN**

**Pressure Switch**

**High Max Pressure**

**Pressure Range**

3.5-10 bar	<b>L9</b>
10-45 bar	<b>M4</b>
35-120 bar	<b>M6</b>
108-410 bar	<b>H7</b>

**Right Angled DIN Plug**

**Diaphragm Material**

Nitrile (Standard)	<b>4</b>
Viton®	<b>1</b>
EPDM	<b>2</b>

\* Other options available upon request

**Port Size**

¼" BSPP Male (Standard)	<b>4G</b>
¼" NPT Male	<b>4M</b>
¼" BSPP Female	<b>4B</b>

\* Other options available upon request

**Body Material**

Zinc Plated Steel (Standard)	<b>1</b>
Stainless Steel	<b>3</b>

**Circuit**

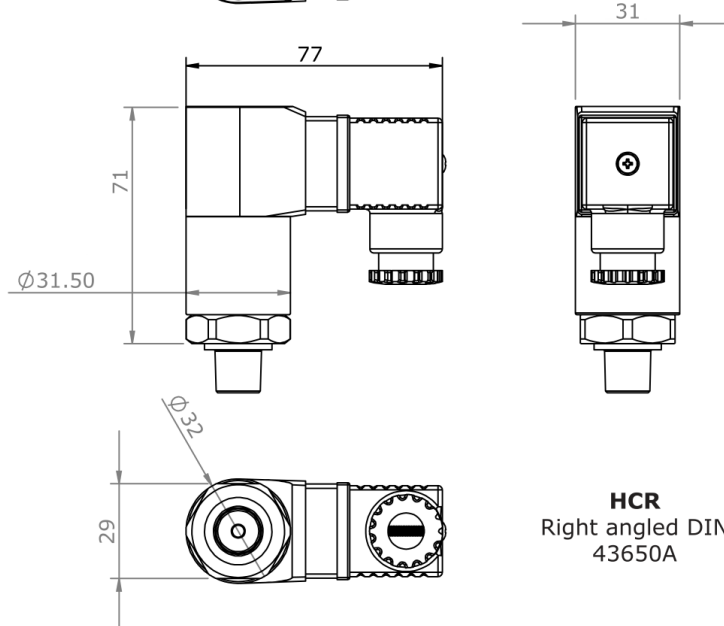
Changeover (SPDT)	<b>C</b>
-------------------	----------

**Electrical Termination**

DIN 43650A	<b>HC</b>
------------	-----------

\* Other options available upon request

1/8" ALLEN WRENCH  
ADJUSTMENT SCREW  
UNDERNEATH LID



**HCR**  
Right angled DIN  
43650A

**Wiring Code**

Contact	HC
Common	<b>Pin 1</b>
Normally Closed	<b>Pin 2</b>
Normally Open	<b>Pin 3</b>