



The PT200 pressure transducer is designed for use in many mobile and industrial applications.

Its compact size, IP65 Mini DIN Plug and rugged stainless steel housing makes it well suited for dependable operation in the field.

These transmitters can withstand adverse environments due to their vibration, shock resistance and EMC/EMI protection. They employ ceramic piezoresistive pressure measuring cells. The use of ceramic allows for an output that is linear with negligible hysteresis that remains consistent throughout its lifetime.

**Features:**

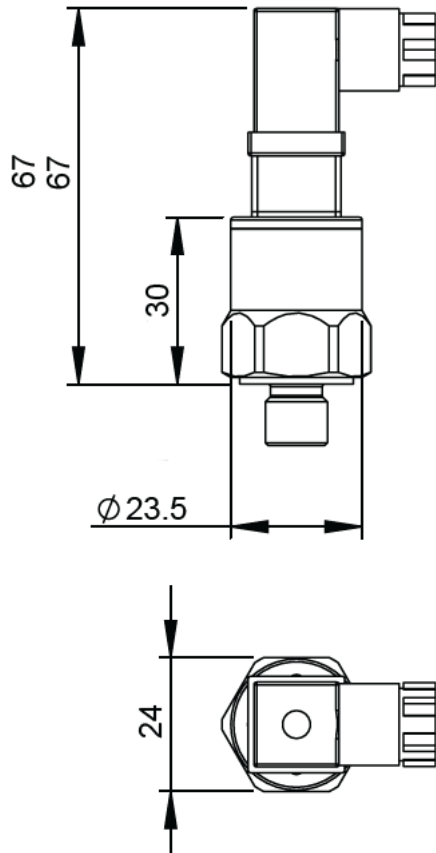
- Piezoresistive Ceramic Sensor
- ASIC Signal Conditioning

**Applications:**

- Industrial Equipment
- Safety Monitoring
- Mobile Equipment

<b>Accuracy*</b>	+/- 0.5 % FS (Terminal)
<b>Pressure Range</b>	0 to 500 Bar (7500 psi)
<b>Proof Pressure</b>	140% to 200% FS based on range (contact us for details)
<b>Burst Pressure</b>	180% to 400% FS based on range (contact us for details)
<b>Long Term Drift</b>	<0.3% FS @ 25°C (77°F)
<b>Zero Error</b>	0.75 % FS
<b>Span</b>	0.75 % FS
<b>Thermal Error</b>	0.5 bar ≥ 6.8 bar: 0.01% FS/°F (0.018% FS/°C) 6.8 bar > 27.6 bar : 0.009% FS/°F (0.016% FS/°C) 27.6 bar ≥ 68.9 bar: 0.011% FS/°F (0.019% FS/°C) 68.9 bar > 206.8 bar: 0.012% FS/°F (0.021% FS/°C) 206.8 bar ≥ 517.1 bar: 0.018% FS/°F (0.028% FS/°C)
<b>Compensated Temperature</b>	0°C to 85°C (32°F to 185°F)
<b>Operating Temperature</b>	-40°C to 125°C (-40°F to 257°F)
<b>Storage Temperature</b>	-40°C to 135°C (-40°F to 275°F)
<b>Process Connection</b>	SS304
<b>Wetted Materials</b>	Ceramic Al <sub>2</sub> O <sub>3</sub> NBR (Standard) or Optional: FKM, HNBR, EPDM
<b>Vibration</b>	10g (20-2000Hz) for ≤ 4 bar (58 psi) 20g (20 - 500Hz) for ranges > 4 bar (58 psi)
<b>Shock</b>	50g (11ms)
<b>Supply Voltage</b>	See over
<b>Current Consumption</b>	4-20mA : ≤23mA 0.5-4.5V Ratiometric: 3mA All other models listed: 7mA
<b>Protection</b>	Overvoltage, Short Circuit, Reverse Polarity Protection
<b>Response Time</b>	<1ms
<b>Ingress Protection</b>	IP65 M2 Electrical Connection - DIN 43650C
<b>Weight</b>	0.07kg (0.15 lbs)

\*Accuracy includes: Non repeatability, Hysteresis, Terminal-based on linearity



<b>Stocked Pressure Ranges (10-30VDC)</b>	
0 - 2 bar	0 - 60 bar
0 - 4 bar	0 - 100 bar
0 - 6 bar	0 - 160 bar
0 - 10 bar	0 - 250 bar
0 - 16 bar	0 - 300 bar
0 - 25 bar	0 - 400 bar
0 - 40 bar	

*If your required pressure range is not listed here, please contact us*

All stocked switches are 1/4" BSPP, other options available to order include:

- 1/8" NPT Male
- 1/4" NPT Female
- 7/16-20 SAE male, with O-ring seal
- 9/16-18 SAE male, with O-ring seal

Please specify when ordering if you require one of the above threads.

<b>M2 Mini DIN Plug</b>	<b>Output</b>				
	<b>4 ~ 20 mA</b>		<b>Voltage</b>		
	Supply +	Supply -	Supply +	Common	Output +
DIN 43650C	1	2	1	2	3

#### **SUPPLY VOLTAGE**

<b>Output</b>	<b>Supply</b>
4 - 20mA	8 - 30 VDC
0 - 10V	12.5 - 30 VDC
0.5 - 4.5V (ratiometric)	4.5 - 5.5 VDC
0.5 - 4.5V	9 - 30 VDC
0 - 5V	9 - 30 VDC
1 - 6V	9 - 30 VDC
0.25 - 10.25 V	12 - 30 VDC