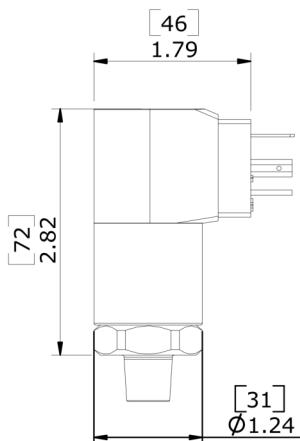
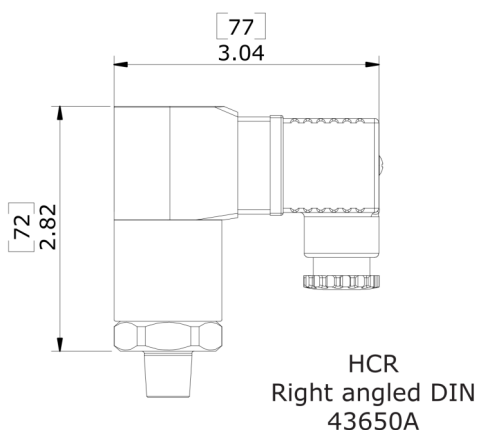


**Features:** Factory set or field adjustable, withstands high system overpressure

**Applications include:** high pressure environments including, mining, pressing and marine industries

**3.5-10 bar** | **10-45 bar** | **35-120 bar** | **108-410 bar**

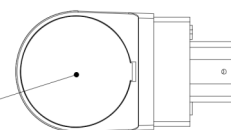


HR  
Right angled DIN  
43650A male only



CONTACT	DIN 43650	FLYING LEADS
CHANGEOVER	PIN 1	BLACK
NORMALLY CLOSED	PIN 2	BLUE
NORMALLY OPEN	PIN 3	RED

1/8" ALLEN WRENCH  
ADJUSTMENT SCREW  
UNDERNEATH LID



<b>Electrical</b>	5A (12/24 VDC) - (125/250 VAC)
<b>Protection</b>	DIN 43650A - IP65, Terminals - IP00
<b>Mechanical Life</b>	1,000,000
<b>Diaphragm Material</b>	Nitrile (standard), options include EPDM, Viton
<b>Housing Material</b>	Zinc plated Steel. Stainless Steel options.
<b>Max. Overpressure</b>	827 bar
<b>Repeatability</b>	+/- 2% full set point @20° C
<b>Differential</b>	10-15%
<b>Weight</b>	Up to 0.31kg

**Notes:**

- All switches are CE compliant
- Supplied with gold contacts for higher accuracy on lower voltage and low currents
- Viton has a much reduced mechanical life but can withstand higher temperatures
- EPDM is recommended for acidic operations and is not to be used with fuels or oils
- See chemical compatibility chart on our website for more info

Diaphragm	Temperature Range
Nitrile	-23° C to 80° C
EPDM	-23° C to 121° C
Viton	-18° C to 121° C