


Your advantages

Series	VHS / VH3
	<ul style="list-style-type: none"> • Robust metal version for high maximum flow rates • Brass or stainless steel version, pipe tee DN 8...50

Technical data

Switching function	Contact → closes at increasing flow → opens at decreasing flow Reversing possible
Pressure rating	PN 25
Temperature ranges	
Medium	-25...110 °C
Ambient	-25...80 °C
Electrical data	
Electrical connection	Plug connector DIN EN 175301-803-A incl. cable socket 1.5 m PVC jacket cable
→ VHS	
→ VH3	
Switching current	Max. 1 A
Switching voltage	Max. 230 VAC, 48 VDC
Rating	Max. 26 VA, 20 W
Degree of protection EN 60529	IP65
Protection class EN 60730-1	Class II

Approvals

Options

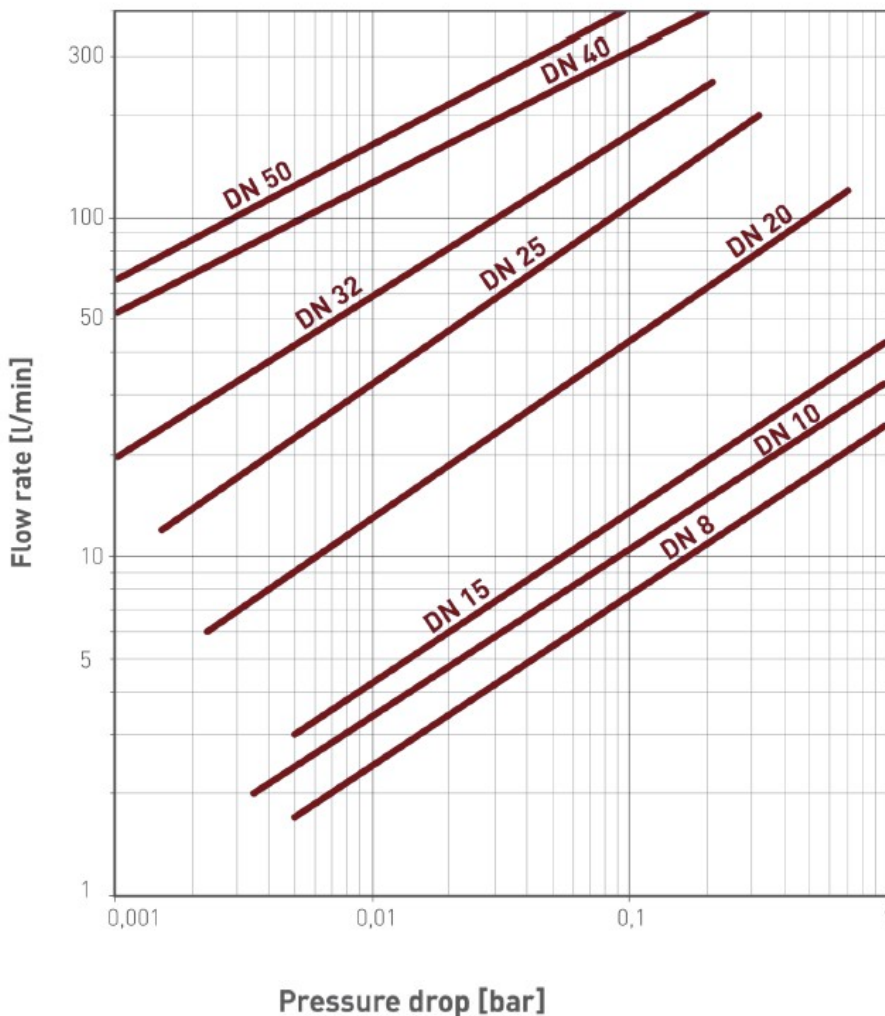
For type	See order code
VHS	→ Plug connector DIN EN 175301-803-A incl. cable socket with two LED for switching voltages 24 V...230 V AC/DC ±20 %, ambient temperature -20...70 °C → or 4-pin-sensor plug M12 x 1
VHS / VH3	→ For use in potentially explosive atmospheres (Version VH...X) max. media temperature 100 °C

Nominal diameter	Thread connection D ₁	Setpoint ranges [l/min]*				Max. flow rate [l/min]
		VHS		VH3		
		Increasing flow ON	Decreasing flow OFF	Increasing flow ON	Decreasing flow OFF	
DN 8	G ¼	2.1...2.7	1.8...2.4	1.9...2.5	1.7...2.3	45
DN 10	G ⅜	2.5...3.2	2.2...2.9	2.4...3.0	2.1...2.8	60
DN 15	G ½	3.4...4.2	3.0...3.8	3.2...4.0	3.0...3.8	67
DN 15	G ½ male**	2.5...3.2	2.2...2.9	2.4...3.0	2.1...2.8	60
DN 15	G ¾ male**	2.5...3.2	2.2...2.9	2.4...3.0	2.1...2.8	60
DN 20	G ¾	7.0...9.1	6.4...8.2	6.6...8.2	6.3...7.8	120
DN 25	G 1	13.5...17.0	12.0...15.5	13.0...15.5	12.5...15.0	195
DN 32	G 1 ¼	15.5...20.5	14.5...19.0	14.5...18.0	13.5...17.0	240
DN 40	G 1 ½	26.5...34.5	25.5...32.5	25.0...31.0	24.0...30.0	400
DN 50	G 2	39.5...51.0	39.0...50.0	37.5...47.5	36.5...46.5	400

* Water, 20 °C, horizontal pipe, tolerance ±15 %

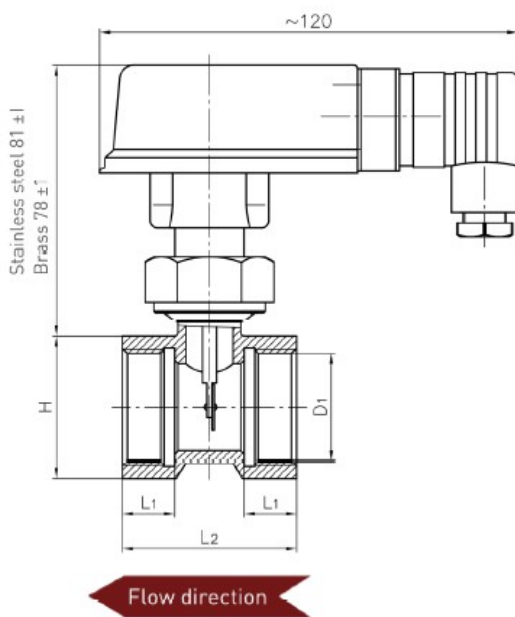
** Only available as brass version

Typical pressure drop

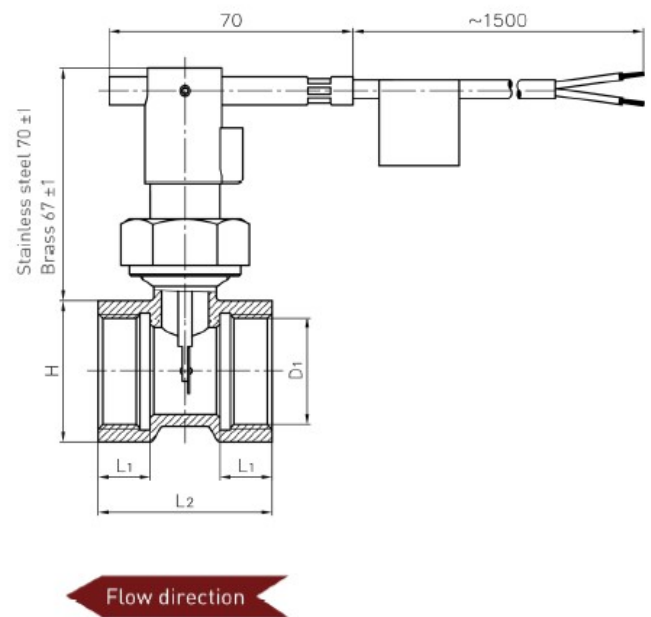


Dimensions [mm]						
Thread connection D ₁	L ₁	L ₂	H	L ₁	L ₂	H
	Brass version			Stainless steel version		
G ¹ / ₄	11	50	27	11	50	27
G ³ / ₈	11	50	27	11	50	27
G ¹ / ₂	11	50	27	11	50	27
G ¹ / ₂ (male)	10	60				
G ³ / ₄ (male)	11	50				
G ³ / ₄	15	50	32	15	50	32
G 1	15	50	41	15	50	41
G 1 ¹ / ₄	15	50	48	15	50	46
G 1 ¹ / ₂	15	50	55	15	50	55
G 2	22	64	70	15	50	70

VHS



VH3



Materials in contact with fluid		
	Brass version	Stainless steel version
Body, Paddle	Brass CW614N	Stainless steel 1.4571
Pipe tee	Brass CW617N	Stainless steel 1.4571
Bushing	PPE+PS Noryl™ 30 % glass fibre reinforced	PVDF
Rivet	Brass CW508L	Stainless steel 1.4303
Pin	Stainless steel 1.4571	
Magnet	Hard ferrite	
O-ring	NBR	

Order code									
Type									
VHS									
Plug connector incl. cable socket (standard)	VHS								7
Plug connector incl. cable socket with LED (option)	VHS								9
4-pin-sensor plug M12 x 1 (option)	VHS								8
VH3									
1.5 m PVC jacket cable	VH3								1
1.5 m PVC blue jacket cable (only for option „for use in potentially explosive atmospheres“)	VH3								3
Nominal diameter	Thread connection								
DN 8	G¼		08						I1
DN 10	G¾		10						I2
DN 15	G½		15						I3
DN 15	G½ male (only brass version)		15						A3
DN 15	G¾ male (only brass version)		15						A4
DN 20	G¾		20						I4
DN 25	G 1		25						I5
DN 32	G 1¼		32						I6
DN 40	G 1½		40						I7
DN 50	G 2		50						I8
Material									
Brass		M011						1	1
Stainless steel		M031						3	3
Version									
Standard									[]*
For use in potentially explosive atmospheres (Option)**									X
Example order number			VHS	08	M011	7	1	I1	1

* No character

** Only available with blue jacket cable or with plug connector incl. cable socket. Max. media temperature 100 °C.

**BEST
SELLER**

Type		Order number							
VHS	Plug connector incl. cable socket, DN 15, G½, brass, standard	VHS	15	M011	7	1	I3	1	
VHS	Plug connector incl. cable socket, DN 20, G¾, brass, standard	VHS	20	M011	7	1	I4	1	
VHS	Plug connector incl. cable socket, DN 25, G 1, brass, standard	VHS	25	M011	7	1	I5	1	