


Your advantages

Series	VHS / VH3
	<ul style="list-style-type: none"> • Robust metal version for high maximum flow rates • Brass or stainless steel version, pipe tee DN 8...50

Technical data

Switching function	Contact → closes at increasing flow → opens at decreasing flow Reversing possible
Pressure rating	PN 25
Temperature ranges	
Medium	-25...110 °C
Ambient	-25...80 °C
Electrical data	
Electrical connection	Plug connector DIN EN 175301-803-A incl. cable socket 1.5 m PVC jacket cable
→ VHS	
→ VH3	
Switching current	Max. 1 A
Switching voltage	Max. 230 VAC, 48 VDC
Rating	Max. 26 VA, 20 W
Degree of protection EN 60529	IP65
Protection class EN 60730-1	Class II

Approvals

Options

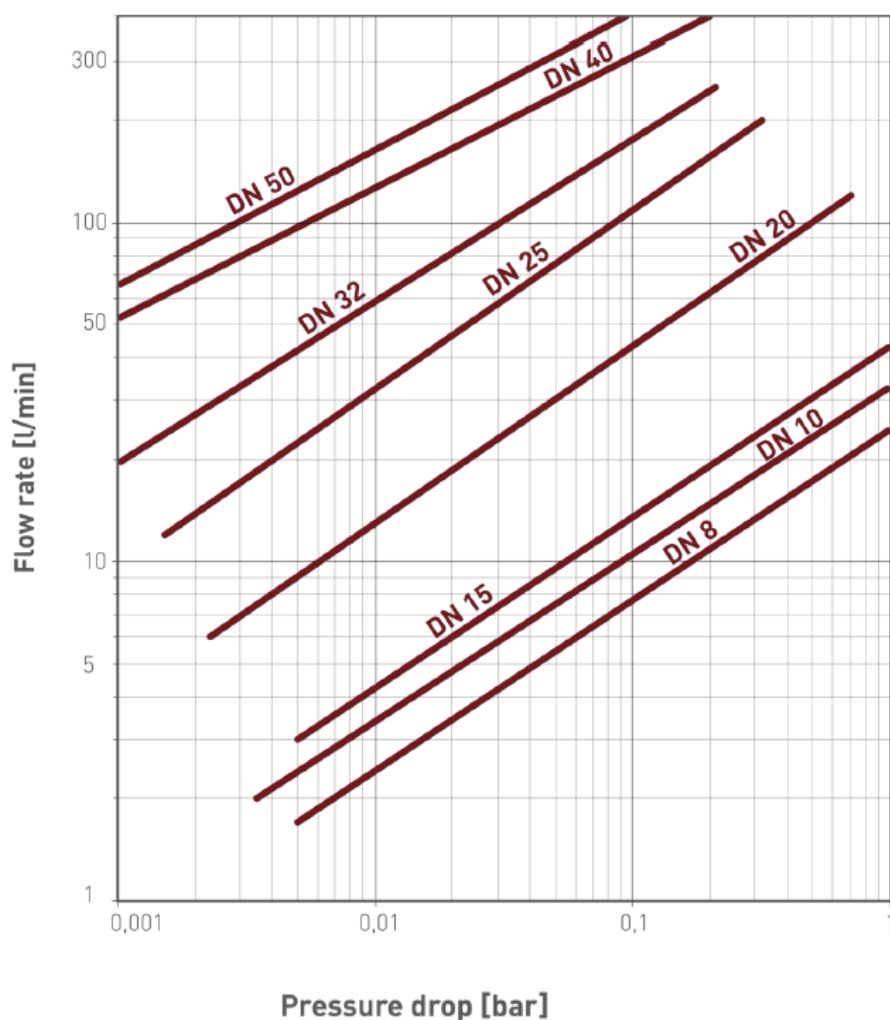
For type	See order code
VHS	→ Plug connector DIN EN 175301-803-A incl. cable socket with two LED for switching voltages 24 V...230 V AC/DC ±20 %, ambient temperature -20...70 °C → or 4-pin-sensor plug M12 x 1
VHS / VH3	→ For use in potentially explosive atmospheres (Version VH...X) max. media temperature 100 °C

Nominal diameter	Thread connection D ₁	Setpoint ranges [l/min]*				Max. flow rate [l/min]
		VHS		VH3		
		Increasing flow ON	Decreasing flow OFF	Increasing flow ON	Decreasing flow OFF	
DN 8	G ¼	2.1...2.7	1.8...2.4	1.9...2.5	1.7...2.3	45
DN 10	G ⅜	2.5...3.2	2.2...2.9	2.4...3.0	2.1...2.8	60
DN 15	G ½	3.4...4.2	3.0...3.8	3.2...4.0	3.0...3.8	67
DN 15	G ½ male**	2.5...3.2	2.2...2.9	2.4...3.0	2.1...2.8	60
DN 15	G ¾ male**	2.5...3.2	2.2...2.9	2.4...3.0	2.1...2.8	60
DN 20	G ¾	7.0...9.1	6.4...8.2	6.6...8.2	6.3...7.8	120
DN 25	G 1	13.5...17.0	12.0...15.5	13.0...15.5	12.5...15.0	195
DN 32	G 1 ¼	15.5...20.5	14.5...19.0	14.5...18.0	13.5...17.0	240
DN 40	G 1 ½	26.5...34.5	25.5...32.5	25.0...31.0	24.0...30.0	400
DN 50	G 2	39.5...51.0	39.0...50.0	37.5...47.5	36.5...46.5	400

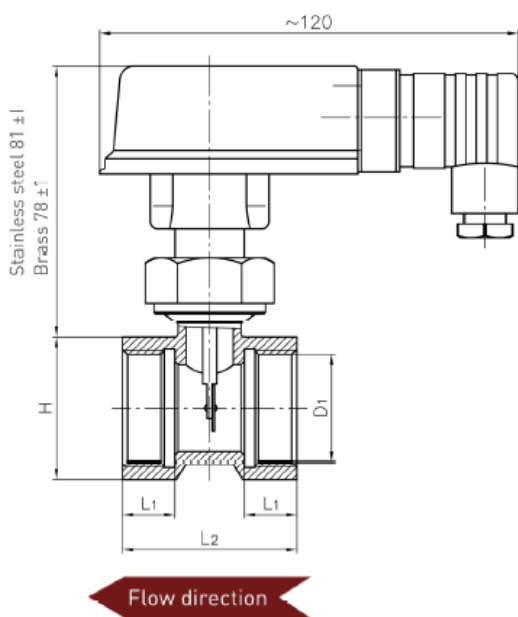
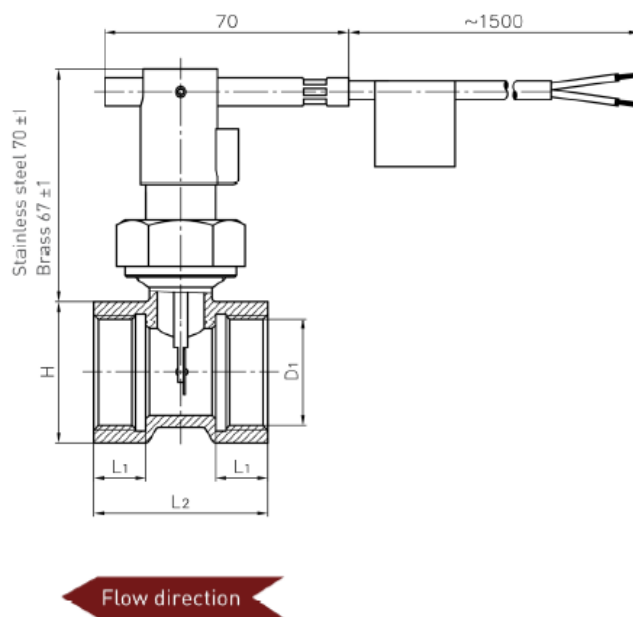
* Water, 20 °C, horizontal pipe, tolerance ±15 %

** Only available as brass version

Typical pressure drop



Dimensions [mm]						
Thread connection D ₁	L ₁	L ₂	H	L ₁	L ₂	H
	Brass version			Stainless steel version		
G ¹ / ₄	11	50	27	11	50	27
G ³ / ₈	11	50	27	11	50	27
G ¹ / ₂	11	50	27	11	50	27
G ¹ / ₂ (male)	10	60				
G ³ / ₄ (male)	11	50				
G ³ / ₄	15	50	32	15	50	32
G 1	15	50	41	15	50	41
G 1 ¹ / ₄	15	50	48	15	50	46
G 1 ¹ / ₂	15	50	55	15	50	55
G 2	22	64	70	15	50	70

VHS

VH3


Materials in contact with fluid		
	Brass version	Stainless steel version
Body, Paddle	Brass CW614N	Stainless steel 1.4571
Pipe tee	Brass CW617N	Stainless steel 1.4571
Bushing	PPE+PS Noryl™ 30 % glass fibre reinforced	PVDF
Rivet	Brass CW508L	Stainless steel 1.4303
Pin	Stainless steel 1.4571	
Magnet	Hard ferrite	
O-ring	NBR	

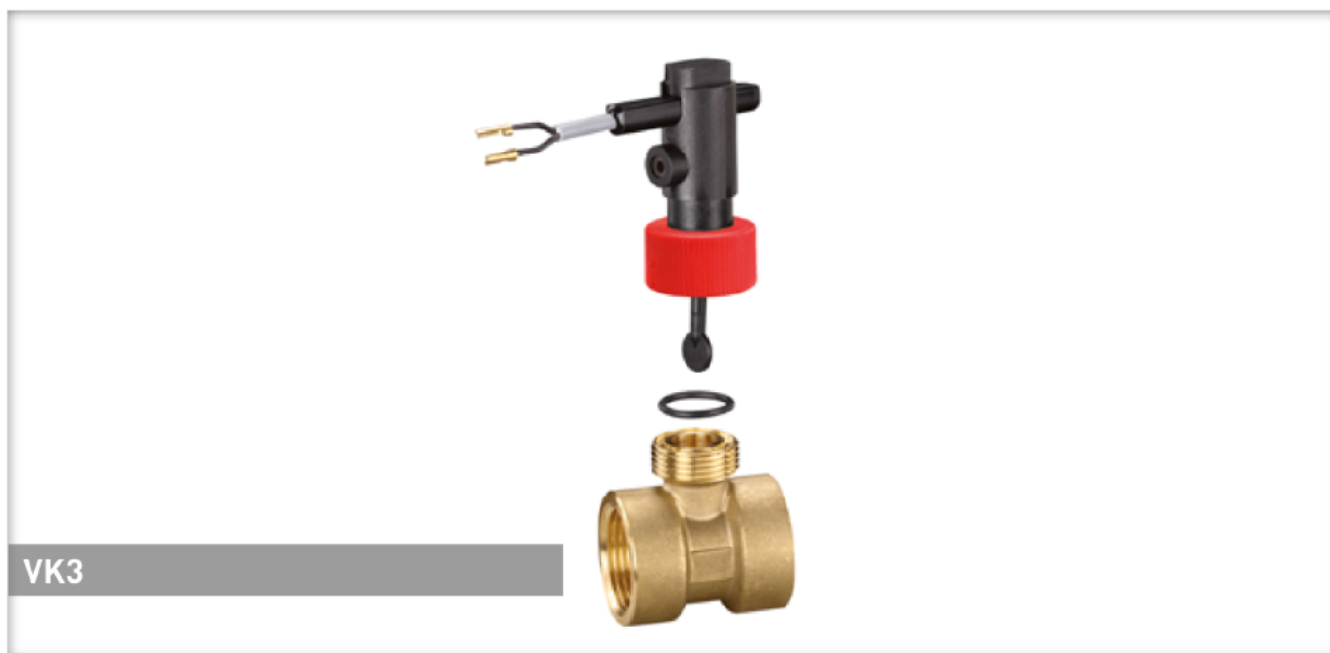
Order code								
Type								
VHS								
Plug connector incl. cable socket (standard)	VHS		7					
Plug connector incl. cable socket with LED (option)	VHS		9					
4-pin-sensor plug M12 x 1 (option)	VHS		8					
VH3								
1.5 m PVC jacket cable	VH3		1					
1.5 m PVC blue jacket cable (only for option „for use in potentially explosive atmospheres“)	VH3		3					
Nominal diameter	Thread connection							
DN 8	G ¼	08				I1		
DN 10	G ⅜	10				I2		
DN 15	G ½	15				I3		
DN 15	G ½ male (only brass version)	15				A3		
DN 15	G ¾ male (only brass version)	15				A4		
DN 20	G ¾	20				I4		
DN 25	G 1	25				I5		
DN 32	G 1 ¼	32				I6		
DN 40	G 1 ½	40				I7		
DN 50	G 2	50				I8		
Material								
Brass		M011		1			1	
Stainless steel		M031		3			3	
Version								
Standard							[]*	
For use in potentially explosive atmospheres (Option)**							X	
Example order number		VHS	08	M011	7	1	I1	1

* No character

** Only available with blue jacket cable or with plug connector incl. cable socket. Max. media temperature 100 °C.

**BEST
SELLER**

Type		Order number						
VHS	Plug connector incl. cable socket, DN 15, G ½, brass, standard	VHS	15	M011	7	1	I3	1
VHS	Plug connector incl. cable socket, DN 20, G ¾, brass, standard	VHS	20	M011	7	1	I4	1
VHS	Plug connector incl. cable socket, DN 25, G 1, brass, standard	VHS	25	M011	7	1	I5	1


VK3
Your advantages

Series	VK3
	<ul style="list-style-type: none"> • Cost optimized plastic version • Factory set special set points for series applications • Brass tee DN 8...50

Technical data

Switching function	Contact → closes at increasing flow → opens at decreasing flow Reversing possible
Pressure rating	PN 10
Temperature ranges	
Medium	-25...100 °C
Ambient	-25...70 °C
Electrical data	
Electrical connection	1.5 m PVC jacket cable
Switching current	Max. 1 A
Switching voltage	Max. 230 VAC, 48 VDC
Rating	Max. 26 VA, 20 W
Degree of protection EN 60529	IP65
Protection class EN 60730-1	Class II

Approvals

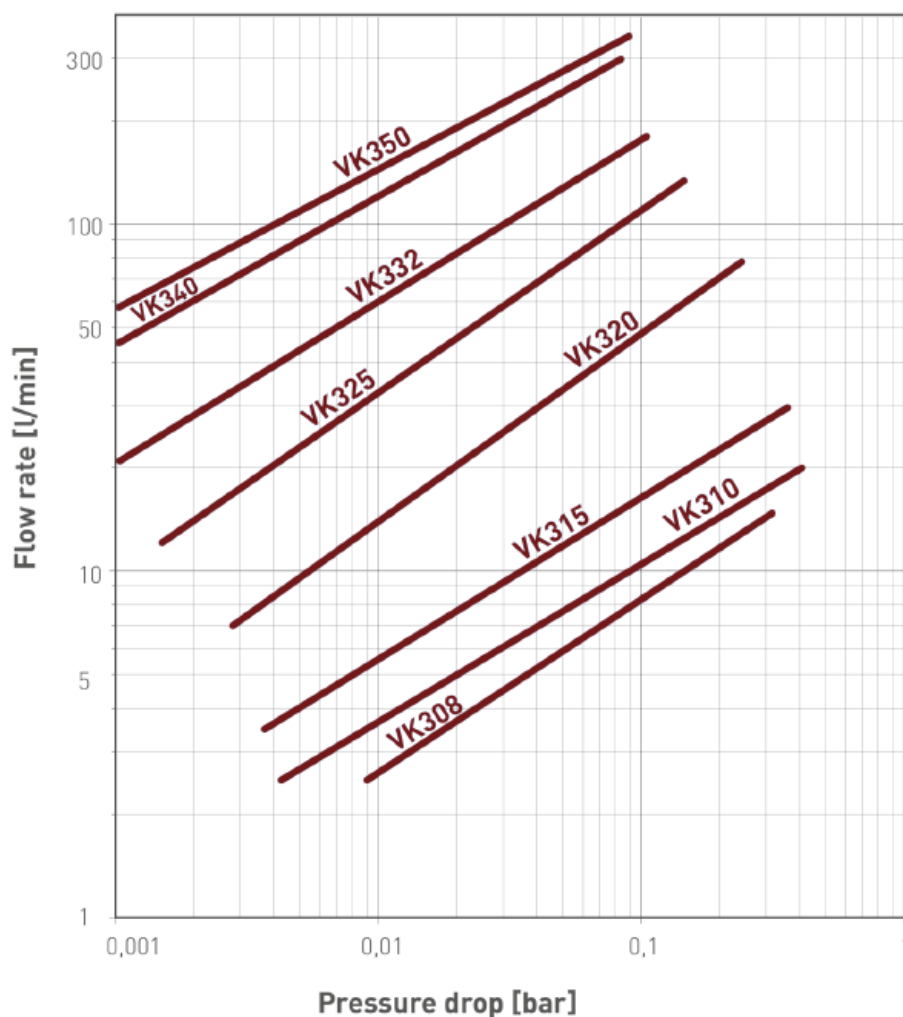
Options

For type	On request
VK3	<ul style="list-style-type: none"> → Special setpoints → 4 different colours of the union nut for distinction → Recognized component ETL according to UL & CSA standards

Nominal diameter	Thread connection D ₁	Setpoint ranges [l/min]*		Max. flow rate [l/min]
		Increasing flow ON	Decreasing flow OFF	
DN 8	G ¼	2,2...2,7	2,1...2,6	15
DN 10	G ⅜	2,5...3,3	2,4...3,1	20
DN 15	G ½	3,4...4,4	3,2...4,2	30
DN 15	G ½ male	2,7...3,3	2,5...3,2	20
DN 15	G ¾ male	2,7...3,3	2,5...3,2	20
DN 20	G ¾	7,0...8,7	6,4...8,0	80
DN 25	G 1	12,0...15,4	11,0...14,0	130
DN 32	G 1 ¼	14,5...18,4	13,5...17,2	180
DN 40	G 1 ½	25,8...36,5	24,0...31,5	300
DN 50	G 2	41,5...56,0	39,0...52,7	350

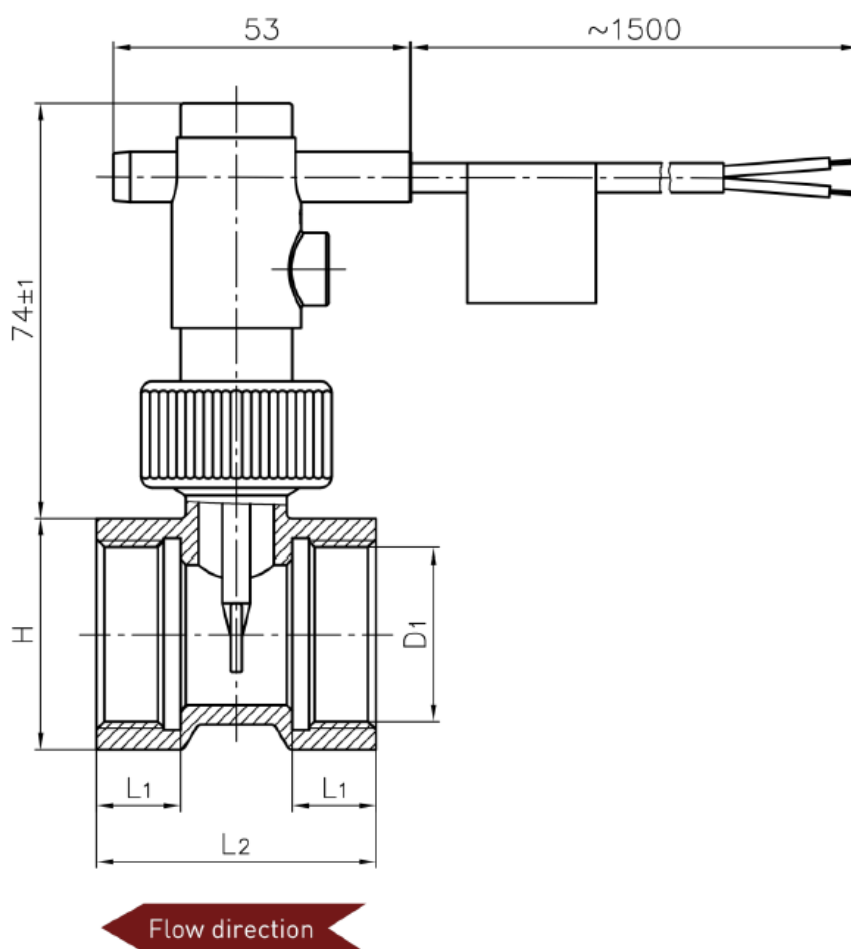
* Water, 20 °C, horizontal pipe, tolerance ±15 %

Typical pressure drop



Dimensions [mm]

Thread connection D ₁	L ₁	L ₂	H
G ¹ / ₄	11	50	27
G ³ / ₈	11	50	27
G ¹ / ₂	11	50	27
G ¹ / ₂ male	10	60	
G ³ / ₄ male	11	50	
G ³ / ₄	15	50	32
G 1	15	50	41
G 1 ¹ / ₄	15	50	48
G 1 ¹ / ₂	15	50	55
G 2	22	64	70




Materials in contact with fluid	
Body, Paddle	PPE+PS Noryl™ 30 % glass fibre reinforced
Pipe tee	Brass CW617N
Pin*	Stainless steel 1.4571
Magnet	Hard ferrite
O-ring	NBR

* only VK340 and VK350

Order code		
Nominal diameter	Thread connection	Order number
DN 8	G ¼	VK308M0P10PI11
DN 10	G ⅜	VK310M0P10PI21
DN 15	G ½	VK315M0P10PI31
DN 15	G ½ male	VK315M0P10PA31
DN 15	G ¾ male	VK315M0P10PA41
DN 20	G ¾	VK320M0P10PI41
DN 25	G 1	VK325M0P10PI51
DN 32	G 1 ¼	VK332M0P10PI61
DN 40	G 1 ½	VK340M0P10PI71
DN 50	G 2	VK350M0P10PI81



Your advantages	
Series	VKS / VK3
	<ul style="list-style-type: none"> • Plastic version with PVC tee for special applications • PVC tees DN 15...50

Technical data	
Switching function	Contact → closes at increasing flow → opens at decreasing flow Reversing possible
Pressure rating	PN 10
Temperature ranges	
Medium	0...20 °C (PN 10) 0...60 °C (PN 2.5)
Ambient	0...60 °C
Electrical data	
Electrical connection	Plug connector DIN EN 175301-803-A incl. cable socket 1.5 m PVC jacket cable
→ VKS	
→ VK3	
Switching current	Max. 1 A
Switching voltage	Max. 230 VAC, 48 VDC
Rating	Max. 26 VA, 20 W
Degree of protection EN 60529	IP65
Protection class EN 60730-1	Class II
Approvals	
	

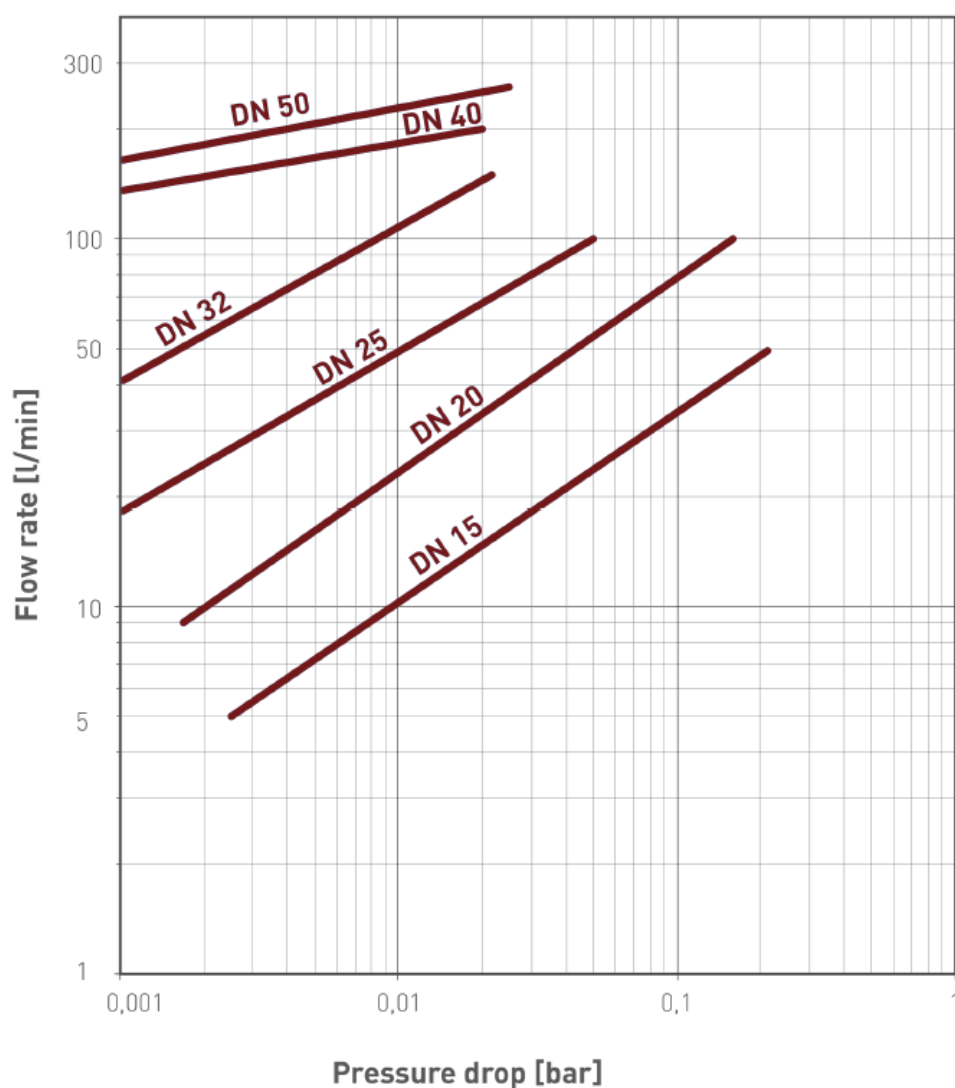
Options	
For type	See oder code
VKS	→ Plug connector DIN EN 175301-803-A incl.cable socket with two LED for switching voltages 24 V...230 V AC/DC ±20 %, → or 4-pin-sensor plug M12 x 1
For type	On request
VKS / VK3	→ Special setpoints → 4 different colours of the union nut for distinction
VK3	→ Recognized component ETL according to UL & CSA standards

Nominal diameter	Setpoint ranges [l/min]*		Max. flow rate [l/min]
	Increasing flow ON	Decreasing flow OFF	
DN 15	5.1...6.9	4.9...6.5	50
DN 20	9.4...12.3	9.1...11.9	100
DN 25	10.7...15.2	10.4...14.8	100
DN 32	17.0...22.6	16.8...22.5	150
DN 40	21.8...30.1 [29.6...41.4]**	21.6...29.9 [29.4...40.8]**	200 [260]**
DN 50	29.0...40.0 [37.6...50.0]**	28.6...39.9 [37.4...49.8]**	260 [350]**

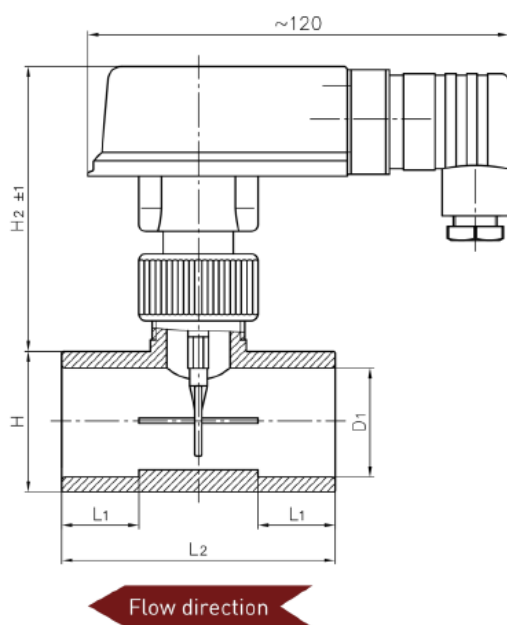
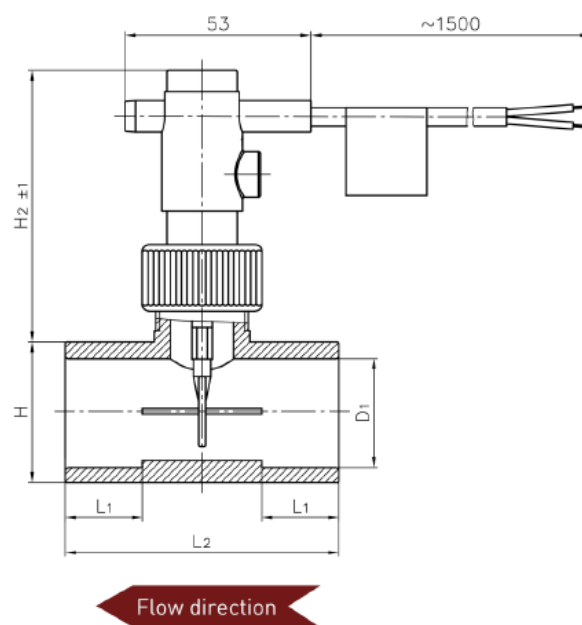
* Water, 20 °C, horizontal pipe, tolerance ±15 %

** The values in brackets are valid for shortened paddles

Typical pressure drop



Dimensions [mm]						
Nominal diameter	D ₁	L ₁	L ₂	H ₁	H ₂ VKS	H ₂ VK3
DN 15	20	16	54	28	84	80
DN 20	25	19	66	34	86	82
DN 25	32	22	78	40	86	82
DN 32	40	26	98	50	104	100
DN 40	50	31	118	62	103	99
DN 50	63	38	144	77	101	97

VKS

VK3


Materials in contact with fluid	
Body, Paddle	PPE+PS Noryl™ 30 % glass fibre reinforced
Pipe tee	PVC
Pin*	Stainless steel 1.4571
Magnet	Hard ferrite
Gasket	EPDM

* only VKS25, VKS40, VKS50, VK325, VK340 and VKS350

Order code				
Type				
VKS				
Plug connector incl. cable socket (standard)	VKS		M0P17	
Plug connector incl. cable socket with LED (option)	VKS		M0P19	
4-pin-sensor plug M12 x 1 (option)	VKS		M0P18	
VK3				
1.5 m PVC jacket cable	VK3		M0P10	
Nominal Diameter				
DN 15		15		PK3K
DN 20		20		PK4K
DN 25		25		PK5K
DN 32		32		PK6K
DN 40		40		PK7K
DN 50		50		PK8K
Example order number	VKS	15	M0P17	PK3K


Your advantages

Series	VHO
	<ul style="list-style-type: none"> • High switching currents → Microswitch is used as switching element • For direct switching of devices, without relay or controller • Brass tee DN 10...50

Technical data	
Switching function	Changeover contact
Switching hysteresis	10...30 %
Pressure rating	PN 25
Temperature ranges	
Medium	-20...110 °C
Ambient	-20...70 °C
Electrical data	
Electrical connection	Plug connector DIN EN 175301-803-A incl. cable socket
Switching current	Max. 5 A
Switching voltage	Max. 250 VAC
Rating	Max. 1250 VA
Degree of protection EN 60529	IP65
Protection class EN 60730-1	Class II

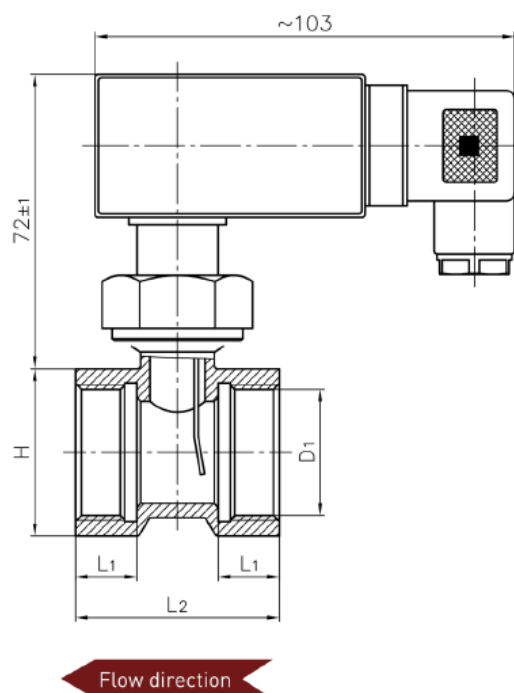
Options	
For type	On request
VHO	→ Insertion installation using soldering adapter

Nominal diameter	Thread connection	Setpoint range [l/min]* Decreasing flow OFF	Max. flow rate [l/min]
DN 10	G $\frac{3}{8}$	4.0...5.0	10
DN 15	G $\frac{1}{2}$	5.0...6.0	20
DN 15	G $\frac{1}{2}$ male	4.0...5.0	10
DN 15	G $\frac{3}{4}$ male	4.0...5.0	10
DN 20	G $\frac{3}{4}$	8.0...10.0	40
DN 25	G 1	17.0...20.0	60
DN 32	G 1 $\frac{1}{4}$	24.0...28.0	80
DN 40	G 1 $\frac{1}{2}$	43.0...50.0	100
DN 50	G 2	69.0...83.0	150

* Water, 20 °C, horizontal pipe, tolerance $\pm 15\%$

Dimensions [mm]			
Thread connection D ₁	L ₁	L ₂	H
G $\frac{3}{8}$	11	50	27
G $\frac{1}{2}$	11	50	27
G $\frac{1}{2}$ male	10	60	
G $\frac{3}{4}$ male	11	50	
G $\frac{3}{4}$	15	50	32
G 1	15	50	41
G 1 $\frac{1}{4}$	15	50	48
G 1 $\frac{1}{2}$	15	50	55
G 2	22	64	70



Materials in contact with fluid	
Body	Brass CW614N, nickel-plated
Pipe tee	Brass CW617N
Paddle	Stainless steel 1.4310, 1.4301
Magnet	Hard ferrite
O-ring	NBR



Order code		
Nominal diameter	Thread connection	Order number
DN 10	G $\frac{3}{8}$	VH010F0747NI21
DN 15	G $\frac{1}{2}$	VH015F0747NI31
DN 15	G $\frac{1}{2}$ male	VH015F0747NA31
DN 15	G $\frac{3}{4}$ male	VH015F0747NA41
DN 20	G $\frac{3}{4}$	VH020F0747NI41
DN 25	G 1	VH025F0747NI51
DN 32	G 1 $\frac{1}{4}$	VH032F0747NI61
DN 40	G 1 $\frac{1}{2}$	VH040F0747NI71
DN 50	G 2	VH050F0747NI81


Your advantages

Series	VHS / VH3
	<ul style="list-style-type: none"> • Standard flow switches • Direct installation into pipe lines DN 50...150 • Threaded adapters for tees and direct insertion into pipes • Alternatively soldering adapter or welding adapter

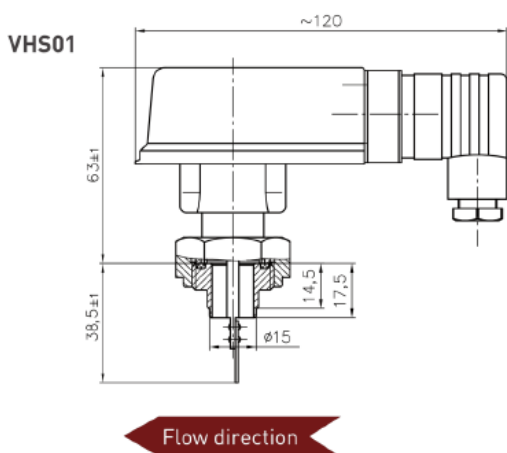
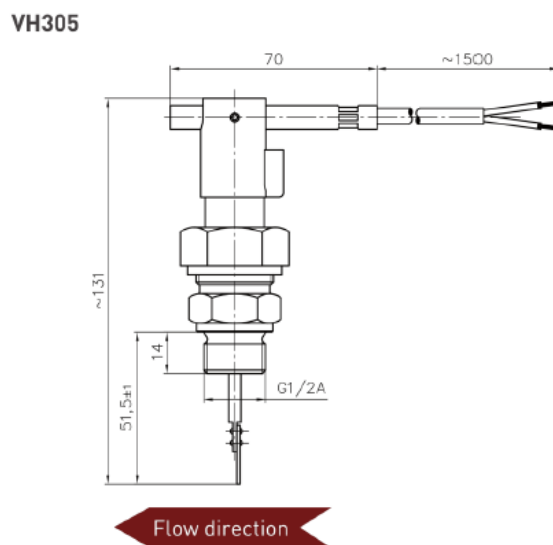
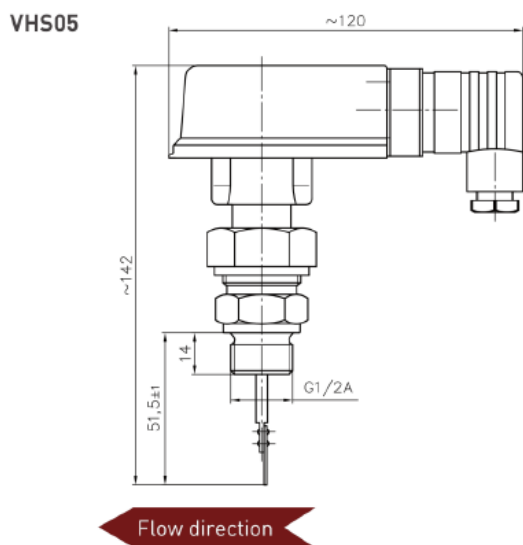
Technical data	
Switching function	Contact → closes at increasing flow → opens at decreasing flow Reversing possible
Pressure rating	PN 25
Temperature ranges	
Medium	-25...110 °C
Ambient	-25...80 °C
Electrical data	
Electrical connection	Plug connector DIN EN 175301-803-A incl. cable socket
→ VHS	1.5 m PVC jacket cable
→ VH3	
Max. switching current	1 A
Max. switching voltage	230 VAC, 48 VDC
Max. rating	26 VA, 20 W
Degree of protection EN 60529	IP65
Protection class EN 60730-1	Class II
Approvals	
 	

Options	
For type	See order code
VHS	→ Plug connector DIN EN 175301-803-A incl. cable socket with two LED for switching voltages 24 V...230 V AC/DC ±20 %, ambient temperature -20...70 °C → or 4-pin-sensor plug M12 x 1
VHS / VH3	→ For use in potentially explosive atmospheres (version VH...X) max. medium temperature 100 °C

Type	Process connection	Insert in Nominal diameter	Setpoint ranges [m ³ /h]*		Max. flow rate [m ³ /h]
			Increasing flow ON	Decreasing flow OFF	
VH305 / VHS05	Threaded adapter G½**	DN 50	1.9...2.7	1.8...2.6	30
		DN 80	5.0...8.0	4.9...7.9	80
		DN 100	8.3...12.5	8.2...12.4	150
		DN 150	17.5...25.0	17.4...24.9	200
VHS01	Soldering adapter / welding adapter	DN 50	3.8...4.9	3.7...4.8	30
		DN 80	9.0...14.3	8.9...14.2	100
		DN 100	13.0...18.8	12.7...18.4	150
		DN 150	33.0...46.0	32.9...45.9	200

* Water, 20 °C, horizontal pipe, tolerance ±15 %

** Installation into welded socket according to EN 10241, G½ female, length 15 mm


Materials in contact with fluid

	Brass version	Stainless steel version
Body, Paddle	CW614N	1.4571
Process connection	VHS05: CW614N VH305: CW614N VHS01: CW617N	1.4571
Bushing	PPE+PS Noryl™ 30 % glass fibre reinforced	PVDF
Rivet	CW508L	1.4303
Pin	1.4571	
Magnet	Hard ferrite	
O-ring	NBR	

Order code									
Type									
VHS									
Plug connector incl. cable socket (Standard)		VHS		17					
Plug connector incl. cable socket with LED (option)		VHS		19					
4-pin-sensor plug M12 x 1 (option)		VHS		18					
Process connection									
Threaded Adapter G½		05M0				R2			
Soldering adapter (brass) or welding adapter (stainless steel)		01M0				D1			
Material									
Brass			1		1			1	
Stainless steel			3		3			3	
Version									
Standard									[]*
For use in potentially explosive atmospheres (option)**									X
Example order number		VHS	05M0	1	17	1	R2	1	

* No character

** Only available with plug connector incl. cable socket

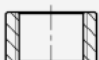
**BEST
SELLER**

Typ	Artikelnummer
VHS05 Plug connector incl. cable socket, threaded Adapter G½, brass	VHS 05M0 1 17 1 R2 1

Order code									
Type									
VH3									
1.5 m PVC jacket cable		VH305M0		11		R2			
1.5 m PVC blue jacket cable (only for option „for use in potentially explosive atmospheres“)		VH305M0		13		R2			
Material									
Brass			1		1			1	
Stainless steel			3		3			3	
Version									
Standard									[]*
For use in potentially explosive atmospheres (option)**									X
Example order number		VH305M0	1	11	1	R2	1		

* No character

** Only available with blue jacket cable

Order code		Order number
	Welding socket according to EN 10241 G½ female thread, length 15 mm Steel S 235 JR	XVH1470



Your advantages

Series	VHS06 / VK306
	<ul style="list-style-type: none"> • Universal flow switches for DN 20...200 • Adjustable for pipe size and setpoint by trimming the paddle • Threaded adapters for tees or for direct insertion into pipes

Technical data	VHS06	VK306
Switching function	Contact → closes at increasing flow → opens at decreasing flow Reversing possible	Contact → closes at increasing flow → opens at decreasing flow
Pressure rating	PN 25	PN 10
Temperature ranges		
Medium	-25...110 °C	-25...100 °C
Ambient	-25...80 °C	-25...70 °C
Electrical data		
Electrical connection	Plug connector DIN EN 175301-803-A incl. cable socket	1.5 m PVC jacket cable
Max. Switching current	1 A	
Max. Switching voltage	230 VAC, 48 VDC	
Max. Rating	26 VA, 20 W	
Degree of protection EN 60529	IP65	
Protection class EN 60730-1	Class II	

Approvals*



Options	
For type	See oder code
VHS06	→ Plug connector DIN EN 175301-803-A incl.cable socket with two LED for switching voltages 24 V...230 V AC/DC ±20 %, ambient temperature -20...70 °C → or 4-pin-sensor plug M12 x 1
For type	On request
VK306	→ Reversed switching function
VK306 with plastic paddle	→ Recognized component ETL according to UL & CSA standards

VHS06 / VK306 with plastic paddle, installation into pipe tees according to EN 10242

Paddle to be trimmed to						
	Paddle mark	9	15	20	30	40
	Installation length L ₁ [mm]	40	46	51	61	71
Setpoints* / Max. flow rate [m ³ /h]						
DN 20	Increasing flow ON**	1.1				
	Decreasing flow OFF	0.9				
	Max. flow rate	4				
DN 25	Increasing flow ON**	1.7	1,3			
	Decreasing flow OFF	1.5	1.1			
	Max. flow rate	8.5	5			
DN 32	Increasing flow ON**	2.9	2.2	1.9		
	Decreasing flow OFF	2.6	1.9	1.6		
	Max. flow rate	15	10	8		
DN 40	Increasing flow ON**	4.2	3.2	2.8	2.1	
	Decreasing flow OFF	3.8	2.8	2.4	1.8	
	Max. flow rate	25	18	14	10	
DN 50	Increasing flow ON**	6.5	4.9	4.4	3.3	2.7
	Decreasing flow OFF	6	4.5	4	3	2.4
	Max. flow rate	41	29	24	17	13

VHS06 / VK306 with plastic paddle, installation by welded socket according to EN 10241, G½ female, length 15 mm

Paddle to be trimmed to									
	Paddle mark	15	20	30	40	50	60	70	80
	Installation length L ₁ [mm]	46	51	61	71	81	91	101	111
Setpoints* / Max. flow rate [m ³ /h]									
DN 65	Increasing flow ON**	8.8	7.4	5.6	4.5				
	Decreasing flow OFF	8.5	7	5.2	4.2				
	Max. flow rate	50	45	34	27				
DN 80	Increasing flow ON**	13.8	11.7	9.2	7.5	6.5	5.1		
	Decreasing flow OFF	11.3	9.6	7.7	6.3	5.3	4.7		
	Max. flow rate	80	65	50	40	33	28		
DN 100	Increasing flow ON**		18.8	14.6	12.3	10.2	8	6.9	6.2
	Decreasing flow OFF		16.3	12	10	8	7.1	6.3	5.9
	Max. flow rate		110	80	65	55	50	40	36
DN 150	Increasing flow ON**				27	22.8	19.5	18	15.7
	Decreasing flow OFF				25	19.8	17.8	16	14.3
	Max. flow rate				150	130	110	100	90
DN 200	Increasing flow ON**					45	38	33.5	30
	Decreasing flow OFF					43.5	36	32	29
	Max. flow rate					230	200	175	160

* Water, 20 °C, horizontal pipe, tolerance ±15 %

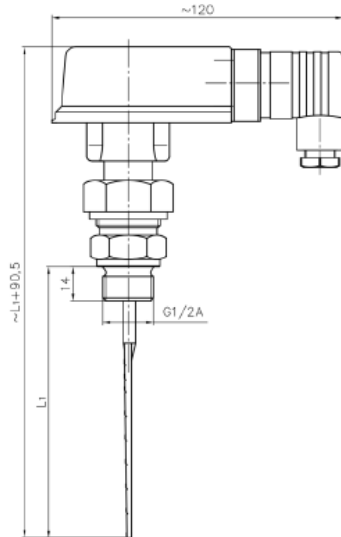
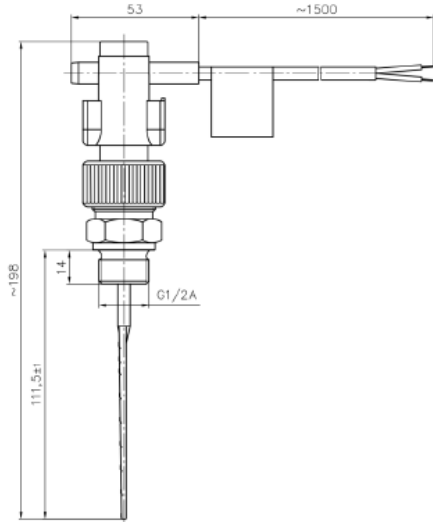
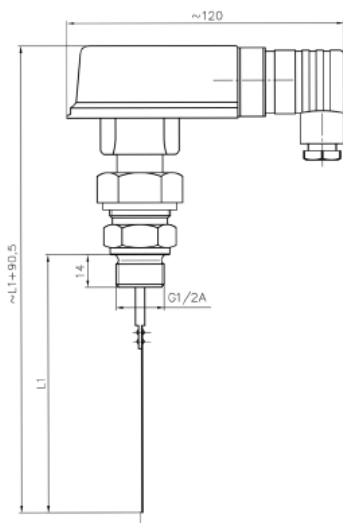
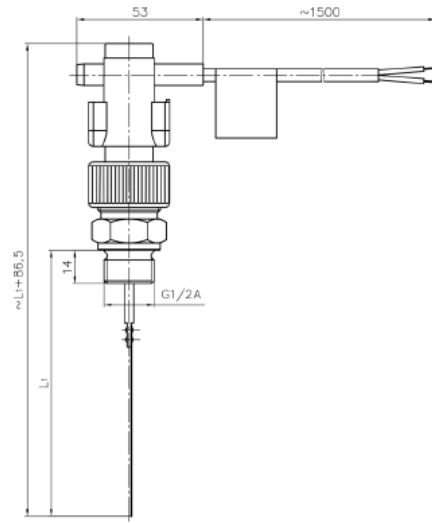
** Typical value

VHS06 / VK306 with stainless steel paddle, installation into pipe tees according to EN 10242					
Paddle to be trimmed to					
	Paddle mark	15	20	30	40
	Installation length L ₁ [mm]	46	51	61	71
Setpoints* / Max. flow rate [m³/h]					
DN 25	Increasing flow ON**	1.2	1		
	Decreasing flow OFF	1	0.9		
	Max. flow rate	10	6		
DN 32	Increasing flow ON**	2	1.7		
	Decreasing flow OFF	1.7	1.5		
	Max. flow rate	20	15		
DN 40	Increasing flow ON**	3.3	2.7	2	
	Decreasing flow OFF	3	2.5	1.8	
	Max. flow rate	34	26	18	
DN 50	Increasing flow ON**	4.8	4	3.2	2.6
	Decreasing flow OFF	4.6	3.8	2.9	2.4
	Max. flow rate	55	45	32	24

VHS06 / VK306 with stainless steel paddle, installation by welded socket according to EN 10241, G½ female, length 15 mm									
Paddle to be trimmed to									
	Paddle mark	15	20	30	40	50	60	70	80
	Installation length L ₁ [mm]	46	51	61	71	81	91	101	111
Setpoints* / Max. flow rate [m³/h]									
DN 65	Increasing flow ON**	7.2	6.0	4.5	3.6				
	Decreasing flow OFF	6.8	5.7	4.2	3.3				
	Max. flow rate	100	80	65	50				
DN 80	Increasing flow ON**	11.7	10	7.7	6.4	5.3	4.6		
	Decreasing flow OFF	11.4	9.6	7.5	6	4.9	4.2		
	Max. flow rate	150	125	95	75	60	50		
DN 100	Increasing flow ON**		16	12.4	10.3	8.7	7.7	6.7	6.1
	Decreasing flow OFF		15.9	11.9	9.8	8.1	7.1	6.3	5.6
	Max. flow rate		200	150	120	105	90	75	70
DN 150	Increasing flow ON**				24	20.3	18	16.3	14.7
	Decreasing flow OFF				22.7	19	17.3	15.3	13.8
	Max. flow rate				290	250	210	190	170
DN 200	Increasing flow ON**					41	35.7	31.7	26.7
	Decreasing flow OFF					38.7	34	29.7	23.3
	Max. flow rate					450	390	350	310

* Water, 20 °C, horizontal pipe, tolerance ±15 %

** Typical value

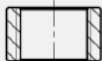
VHS06 with plastic paddle

VK306 with plastic paddle

VHS06 with stainless steel paddle

VK306 with stainless steel paddle

Materials in contact with fluid

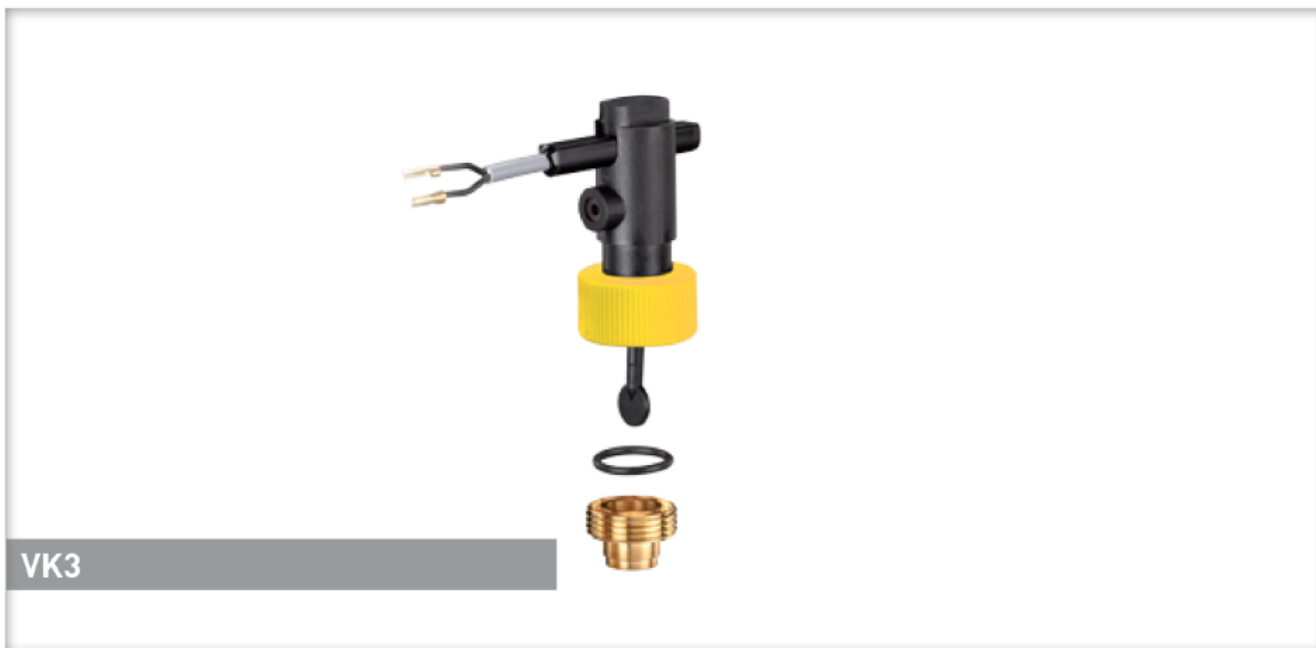
Type	VHS06	VK306
Body	Brass CW614N	PPE+PS Noryl™ 30 % glass fibre reinforced
Paddle	Plastic paddle: PPE+PS Noryl™ 30 % glass fibre reinforced / stainless steel Stainless steel paddle: Stainless steel 1.4310 / brass	
Pin	Stainless steel 1.4571	
Process connection	Brass CW614N	
Magnet	Hard ferrite	
O-ring	NBR	

Order code			
Type			
VHS06			
Plug connector incl. cable socket (standard)	VHS06M2		171R21
Plug connector incl. cable socket with LED (option)	VHS06M2		191R21
4-pin-sensor plug M12 x 1 (option)	VHS06M2		181R21
VK306			
1.5 m PVC jacket cable	VK306M2		10PR21
Paddle			
Plastic		P	
Stainless steel		5	
Example order number		VHS06M2 P	171R21

BEST SELLER

Type		Order number		
VHS06	Plug connector (standard), paddle plastic	VHS06M2	P	171R21
VHS06	Plug connector (standard), paddle stainless steel	VHS06M2	5	171R21

Order code		
Accessories		Order number
	Welding socket according to EN 10241, G½ female thread, length 15 mm, steel S 235 JR	XVH1470


VK3
Your advantages

Series	VK3
	<ul style="list-style-type: none"> • Cost optimized plastic version • Factory set special set points for series applications • Paddle lengths for copper pipes Ø 22...54 • Different colours of the union nut for an easy distinction • Soldering adapter for copper pipes

Technical data

Switching function	Contact → closes at increasing flow → opens at decreasing flow
Pressure rating	PN 10
Temperature ranges	
Medium	-25...100 °C
Ambient	-25...70 °C
Electrical data	
Electrical connection	1.5 m PVC jacket cable
Switching current	Max. 1 A
Switching voltage	Max. 230 VAC, 48 VDC
Rating	Max. 26 VA, 20 W
Degree of protection EN 60529	IP65
Protection class EN 60730-1	Class II

Approvals

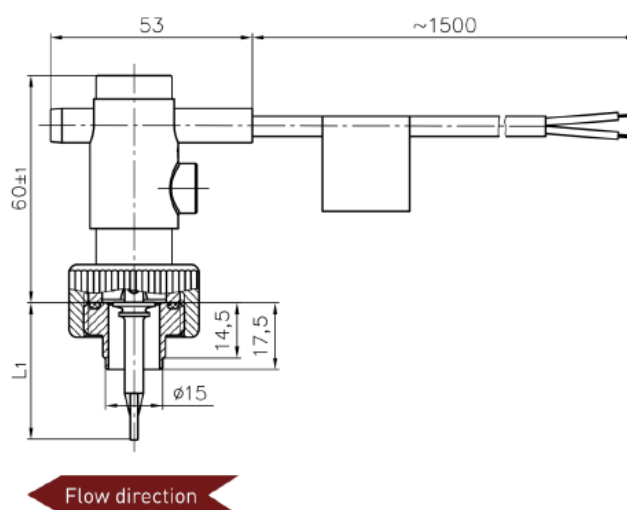
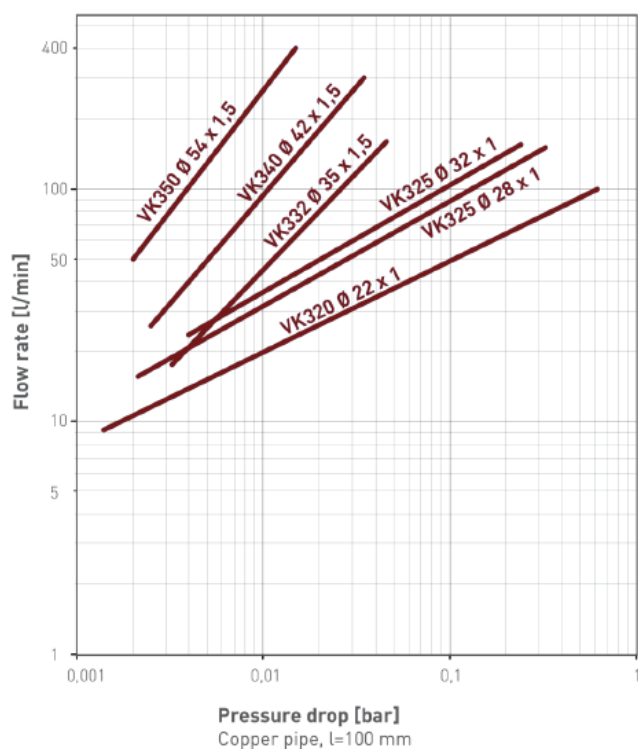
Options

For type	On request
VK3	<ul style="list-style-type: none"> → Special setpoints → Reversed switching function → Insertion into collared copper pipes* → Recognized component ETL according to UL & CSA standards

Order code						
Type	Color union nut	For copper pipes	Setpoints [l/min]*		Max. flow rate [l/min]	Order number
			Increasing flow ON**	Decreasing flow OFF		
VK320	●	Ø 22x1	10.5	9.2	100	VK320M0P10PD11
VK325	●	Ø 28x1	17.6	15.7	150	VK325M0P10PD11
		Ø 32x1	25.7	23.6	155	
VK332	●	Ø 35x1.5	20.0	17.5	160	VK332M0P10PD11
VK340	●	Ø 42x1.5	28.0	25.8	300	VK340M0P10PD11
VK350	●	Ø 54x1.5	58.3	50.2	400	VK350M2P10PD11

* Water, 20 °C, horizontal pipe, tolerance ±15 %

** Typical value

Typical pressure drop

Dimensions [mm]

Type	Paddle length L ₁
VK320	33.5
VK325	36.0
VK332	44.5
VK340	47.5
VK350	56.5

Materials in contact with fluid

Body	PPE+PS Noryl™ 30 % glass fibre reinforced
Paddle	PPE+PS Noryl™ 30 % glass fibre reinforced
Soldering adapter	Brass CW617N
Magnet	Hard ferrite
O-ring	NBR



VKX15

Your advantages

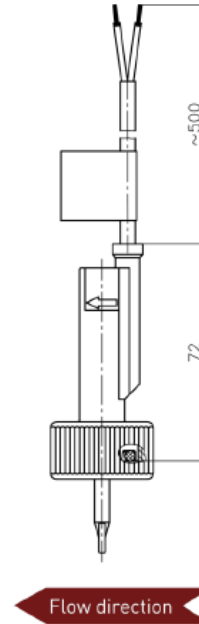
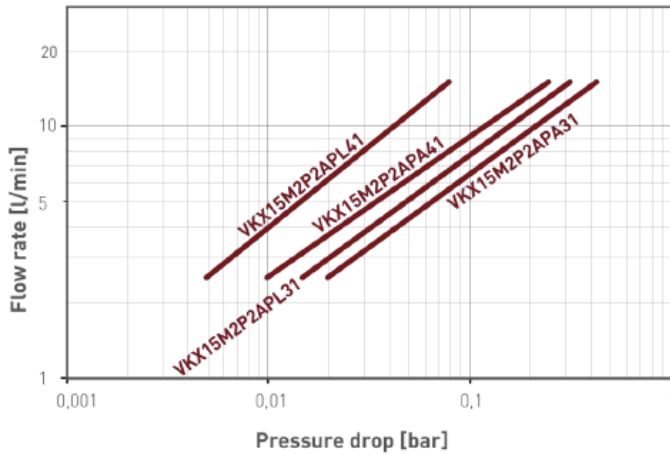
Series	VKX15
	<ul style="list-style-type: none"> • Cost optimized version • Pipe tee with threaded or soldering ends

Technical data

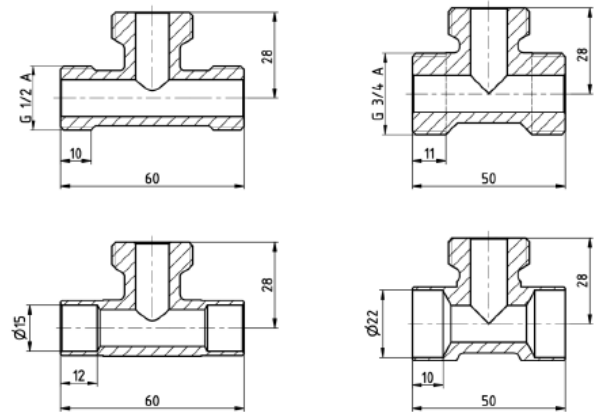
Switching function	Contact closes at increasing flow
Setpoint	2.5 ±0.5 l/min*
Max. flow rate	
→ Pipe tee G1/2 male	40 l/min
→ Pipe tee G3/4 male	40 l/min
→ Pipe tee 15 mm soldering connection	40 l/min
→ Pipe tee 22 mm soldering connection	34 l/min
Nominal diameter	DN 15
Pressure rating	PN 10
Temperature ranges	
Medium	-20...100 °C
Ambient	-20...70 °C
Electrical data	
Electrical connection	0.5 m PVC jacket cable
Degree of protection EN 60529	IP65
Max. Switching current	Max. 1 A
Max. Rating	Max. 26 VA, 20 W
Max. Switching voltage	230 VAC, 48 VDC or 24 VAC, 42 VDC
Protection class EN 60730-1	Class II or Class III

Approvals **





Typical pressure drop


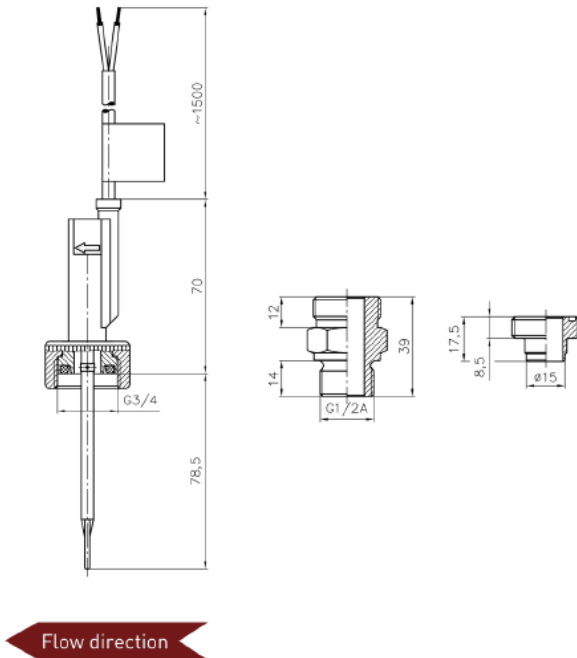
Materials in contact with fluid	
Body	PPE+PS Noryl™ 30 % glass fibre reinforced
Paddle	PPE+PS Noryl™ 30 % glass fibre reinforced
Pin	Stainless steel 1.4571
Magnet	Hard ferrite
O-ring	EPDM
Pipe tee	Brass CW617N



Order code		
Type	VKX15	VKX15M2P2
Switching voltage	230 VAC, 48 VDC 24 VAC, 42 VDC	AP BP
Process connection	Pipe tee G $\frac{1}{2}$ male Pipe tee G $\frac{3}{4}$ male Pipe tee 15 mm soldering connection Pipe tee 22 mm soldering connection	A31 A41 L31 L41
Example order code	VKX15M2P2	AP A31



Your advantages	
Series	VKX05
	<ul style="list-style-type: none"> • Direct installation into pipe lines DN 50...150 • Sealed with integrated O-ring
Technical data	
Switching function	Contact closes at increasing flow
Nominal diameter range	Applicable in DN 50...150
Pressure rating	PN 10
Temperature ranges	
Medium	-20...100 °C
Ambient	-20...70 °C
Electrical data	
Electrical connection	1.5 m PVC jacket cable
Degree of protection EN 60529	IP65
Max. Switching current	Max. 1 A
Max. Rating	Max. 26 VA, 20 W
Max. Switching voltage	230 VAC, 48 VDC or 24 VAC, 42 VDC
Protection class EN 60730-1	Class II or Class III
Approvals	
	 



Materials in contact with fluid	
Type	VKX05
Body	PPE+PS Noryl™ 30 % glass fibre reinforced
Paddle	PPE+PS Noryl™ 30 % glass fibre reinforced
Pin	Stainless steel 1.4571 or titanium
Magnet	Hard ferrite
O-ring	EPDM
Soldering adapter	Brass CW614N
Process connection	Brass CW614N or stainless steel 1.4571

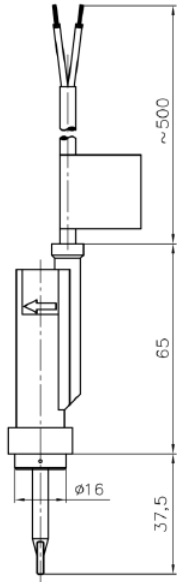
Order code			
Type			
VKX05	VKX05M2P2		
VKX05 with titanium pin	VKX05M2B2		
Switching voltage			
230 VAC, 48 VDC		AP	
24 VAC, 42 VDC		BP	
Process connection			
Union nut G¾			U10
Threaded adapter G½ brass			R21
Threaded adapter G½ stainless steel			R23
Soldering adapter			D11
Example order number	VKX05M2P2	AP	U10


VKX15 Push-In
Your advantages

Series	VKX15 Push-In
	<ul style="list-style-type: none"> • Cost optimized version • Easy Push-in installation into manifolds or armatures

Technical data

Switching function	Contact closes at increasing flow
Setpoint	2.5 ±0.5 l/min*
Max. flow rate	15 l/min
Nominal diameter	DN 15
Pressure rating	PN 10
Temperature ranges	
Medium	-20...70 °C
Ambient	-20...70 °C
Electrical data	
Electrical connection	0.5 m PVC jacket cable
Degree of protection EN 60529	IP65
Max. Switching current	1 A
Max. Rating	26 VA, 20 W
Max. Switching voltage	230 VAC, 48 VDC or 24 VAC, 42 VDC
Protection class EN 60730-1	Class II or Class III


Female socket design





Materials in contact with fluid	
Body	PPE+PS Noryl™ 30 % glasfaserverstärkt
Paddle	PPE+PS Noryl™ 30 % glasfaserverstärkt
Pin	Edelstahl 1.4571
Magnet	Hartferrit
O-Ring	EPDM

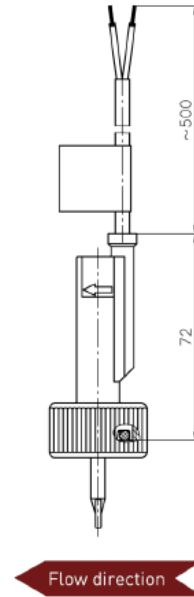
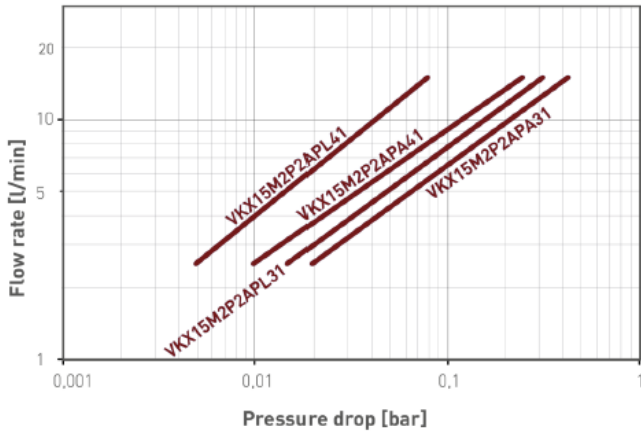
Order code			
Type	VKX15	VKX15M2P2	
Switching voltage	230 VAC, 48 VDC		AP
	24 VAC, 42 VDC		BP
Process connection	Push-In for manifold mounting		H10
Example order number		VKX15M2P2	AP H10



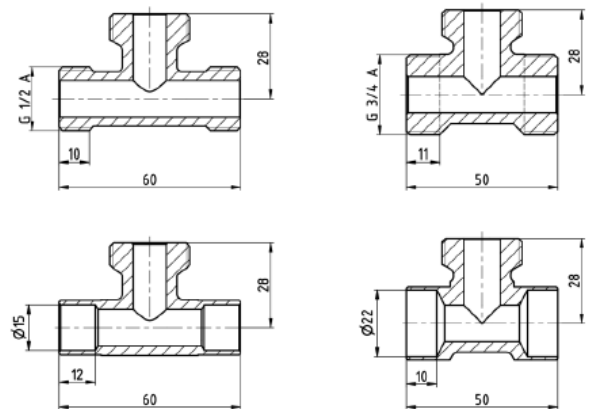
VKX15

Your advantages	
Series	VKX15
	<ul style="list-style-type: none"> • Cost optimized version • Pipe tee with threaded or soldering ends

Technical data	
Switching function	Contact closes at increasing flow
Setpoint	2.5 ±0.5 l/min*
Max. flow rate	
→ Pipe tee G½ male	40 l/min
→ Pipe tee G¾ male	40 l/min
→ Pipe tee 15 mm soldering connection	40 l/min
→ Pipe tee 22 mm soldering connection	34 l/min
Nominal diameter	DN 15
Pressure rating	PN 10
Temperature ranges	
Medium	-20...100 °C
Ambient	-20...70 °C
Electrical data	
Electrical connection	0.5 m PVC jacket cable
Degree of protection EN 60529	IP65
Max. Switching current	Max. 1 A
Max. Rating	Max. 26 VA, 20 W
Max. Switching voltage	230 VAC, 48 VDC or 24 VAC, 42 VDC
Protection class EN 60730-1	Class II or Class III
Approvals **	
  	

Typical pressure drop


Materials in contact with fluid	
Body	PPE+PS Noryl™ 30 % glass fibre reinforced
Paddle	PPE+PS Noryl™ 30 % glass fibre reinforced
Pin	Stainless steel 1.4571
Magnet	Hard ferrite
O-ring	EPDM
Pipe tee	Brass CW617N



Order code		
Type	VKX15	VKX15M2P2
Switching voltage	230 VAC, 48 VDC 24 VAC, 42 VDC	AP BP
Process connection	Pipe tee G $\frac{1}{2}$ male Pipe tee G $\frac{3}{4}$ male Pipe tee 15 mm soldering connection Pipe tee 22 mm soldering connection	A31 A41 L31 L41
Example order code	VKX15M2P2	AP A31