

## 82540/82640 2/2-way diaphragm valves

- > Port size: DN 8 ... 50, G1/4 ... 2 (ISO G/NPT)
- > High flow rate
- > For robust industry solutions
- > Damped operation
- > Suitable for vacuum
- > For systems with low or fluctuating pressure
- > Valve operates without differential pressure
- > Solenoid interchangeable without tools (Click-on®) only solenoid 915x and 940x
- > International approvals



### Technical features

**Medium:**

Neutral gases and liquids

**Switching function:**

Normally closed

**Operation:**

Solenoid actuated, with forced lifting

**Mounting position:**

Optional, preferably solenoid vertical on top

**Flow direction:**

Determined

**Port size:**

G1/4, G3/8, G1/2, G3/4, G1, G1 1/4, G1 1/2, G2 1/4 NPT, 3/8 NPT, 1/2 NPT, 3/4 NPT, 1 NPT, 1 1/4 NPT, 1 1/2 NPT, 2 NPT

**Operating pressure:**

See table

**Fluid temperature:**

-10° ... +90°C (+14° ... +194°F)

**Ambient temperature:**

-10° ... +50°C (+14° ... +122°F)

**Material:**

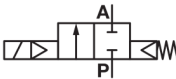
Body: Brass (CW617N)

Seat seal: NBR-K

Internal parts: Stainless steel, PVDF, Brass

For contaminated fluids insertion of a strainer is recommended.

**Technical data – standard models**

Symbol	Port size	Orifice (mm)	Flow kv value *1) (m <sup>3</sup> /h)	Operating pressure *2)		Weight (kg)	Model	
				(bar)	(psi)		Solenoid in V d.c.	Solenoid in V a.c.
	G1/4	8	1,9	0 ... 10	0 ... 145	0,8	8254000.9151.xxxxx	8254000.9154.xxxxx
	G1/4	8	1,9	0 ... 16 *3)	0 ... 232 *3)	0,8	8254000.9301.xxxxx	8254000.9304.xxxxx
	1/4 NPT	8	1,9	0 ... 10	0 ... 145	0,8	8264000.9151.xxxxx	8264000.9154.xxxxx
	1/4 NPT	8	1,9	0 ... 16 *3)	0 ... 232 *3)	0,8	8264000.9301.xxxxx	8264000.9304.xxxxx
	G3/8	10	3	0 ... 10	0 ... 145	0,8	8254100.9151.xxxxx	8254100.9154.xxxxx
	G3/8	10	3	0 ... 16 *3)	0 ... 232 *3)	0,8	8254100.9301.xxxxx	8254100.9304.xxxxx
	3/8 NPT	10	3	0 ... 10	0 ... 145	0,8	8264100.9151.xxxxx	8264100.9154.xxxxx
	3/8 NPT	10	3	0 ... 16 *3)	0 ... 232 *3)	0,8	8264100.9301.xxxxx	8264100.9304.xxxxx
	G1/2	12	3,4	0 ... 10	0 ... 145	0,9	8254200.9151.xxxxx	8254200.9154.xxxxx
	G1/2	12	3,4	0 ... 16 *3)	0 ... 232 *3)	0,9	8254200.9301.xxxxx	8254200.9304.xxxxx
	1/2 NPT	12	3,4	0 ... 10	0 ... 145	0,9	8264200.9151.xxxxx	8264200.9154.xxxxx
	1/2 NPT	12	3,4	0 ... 16 *3)	0 ... 232 *3)	0,9	8264200.9301.xxxxx	8264200.9304.xxxxx
	G3/4	20	5,8	0 ... 10	0 ... 145	1	8254300.9151.xxxxx	8254300.9154.xxxxx
	G3/4	20	5,8	0 ... 16 *3)	0 ... 232 *3)	1	8254300.9301.xxxxx	8254300.9304.xxxxx
	3/4 NPT	20	5,8	0 ... 10	0 ... 145	1	8264300.9151.xxxxx	8264300.9154.xxxxx
	3/4 NPT	20	5,8	0 ... 16 *3)	0 ... 232 *3)	1	8264300.9301.xxxxx	8264300.9304.xxxxx
	G1	25	8	0 ... 10	0 ... 145	1,3	8254400.9151.xxxxx	8254400.9154.xxxxx
	G1	25	8	0 ... 16 *3)	0 ... 232 *3)	1,3	8254400.9301.xxxxx	8254400.9304.xxxxx
	1 NPT	25	8	0 ... 10	0 ... 145	1,3	8264400.9151.xxxxx	8264400.9154.xxxxx
	1 NPT	25	8	0 ... 16 *3)	0 ... 232 *3)	1,3	8264400.9301.xxxxx	8264400.9304.xxxxx
	G1 1/4	32	23	0 ... 16	0 ... 232	4,3	8254500.9401.xxxxx	8254500.9404.xxxxx
	1 1/4 NPT	32	23	0 ... 16	0 ... 232	4,3	8264500.9401.xxxxx	8264500.9404.xxxxx
	G1 1/2	40	25	0 ... 16	0 ... 232	4,3	8254600.9401.xxxxx	8254600.9404.xxxxx
	1 1/2 NPT	40	25	0 ... 16	0 ... 232	4,3	8264600.9401.xxxxx	8264600.9404.xxxxx
G2	50	41	0 ... 16	0 ... 232	5,4	8254700.9401.xxxxx	8254700.9404.xxxxx	
2 NPT	50	41	0 ... 16	0 ... 232	5,4	8264700.9401.xxxxx	8264700.9404.xxxxx	

xxxxx Please insert voltage and frequency codes

\*1) Cv-value (US) ≈ kv value x 1,2

 \*2) For gases and liquid fluids up to 25 mm<sup>2</sup>/s (cSt)

\*3) For liquid mediums and an operating pressure &gt; 10 bar is the maximum allowed differential pressure limited to 2 bar.

**Option selector**
**82★4★ ★★.★ ★★ ★★.★ ★★ ★★**

Thread form	Substitute
ISO G	5
NPT	6
Port size	Substitute
1/4	0
3/8	1
1/2	2
3/4	3
1	4
1 1/4	5
1 1/2	6
2	7
Valve options	Substitute
Normally open (NO), up to G1 (1 NPT) with solenoid 9150 max. 10 bar (145 psi), with solenoid 8300 max. 16 bar (232 psi), with solenoid 9300 max. 16 bar (232 psi), from G1 1/4 (1 1/4 NPT) only with solenoid 8400 max. 16 bar (232 psi)	01
Manual override	02
Seat seal FPM, Fluid temperature -5 ... +110°C (+23 ... +230°F)	03
Seat seal EPDM, for hot water, Fluid temperature -10 ... +110°C (+14 ... +230°F)	14
Normally open, Seat seal FPM, Fluid temperature -5 ... +110°C (+23 ... +230°F), from G1 1/4 (1 1/4 NPT) only with solenoid 8400 max. 16 bar (232 psi)	17
Version for drinking water with test according to KTW up to max. G1	88
Version for drinking water with test according to KTW Normally open (NO), up to G1	89

Frequency	Substitute
See table frequency codes	xx
Voltage	Substitute
See table voltage codes	xxx
Solenoid options	Substitute
G1/4 ... 1 Operating pressure 0 ... 10 bar (0 ... 145 psi) Solenoid in V d.c.	9151
G1/4 ... 1 Operating pressure 0 ... 10 bar (0 ... 145 psi) Solenoid in V a.c.	9154
G1/4 ... 1 Operating pressure 0 ... 16 bar (0 ... 232 psi) *4) Solenoid in V d.c.	9301
G1/4 ... 1 Operating pressure <sup>1</sup> 0 ... 16 bar (0 ... 232 psi) *4) Solenoid in V a.c.	9304
G1 1/4 ... 2 Operating pressure 0 ... 16 bar (0 ... 232 psi) Solenoid in V d.c.	9401
G1 1/4 ... 2 Operating pressure 0 ... 16 bar (0 ... 232 psi) Solenoid in V a.c.	9404

\*4) For liquid mediums and an operating pressure > 10 bar is the maximum allowed differential pressure limited to 2 bar

**Standard solenoid systems**

Voltage and Frequency Solenoid 9151/9154					
Code Voltage	Code Frequency	Voltage	Frequency	Power consumption Inrush	Holding
024	00	24 V d.c.	-	18 W	18 W
024	49	24 V a.c. *5)	40 ... 60 Hz	20 VA	20 VA
110	49	110 V a.c. *5)	40 ... 60 Hz	20 VA	20 VA
120	49	120 V a.c. *5)	40 ... 60 Hz	20 VA	20 VA
230	49	230 V a.c. *5)	40 ... 60 Hz	20 VA	20 VA
Voltage and Frequency Solenoid 9301/9304					
024	00	24 V d.c.	-	18 W	18 W
024	49	24 V a.c. *5)	40 ... 60 Hz	20 VA	20 VA
110	49	110 V a.c. *5)	40 ... 60 Hz	20 VA	20 VA
120	49	120 V a.c. *5)	40 ... 60 Hz	20 VA	20 VA
230	49	230 V a.c. *5)	40 ... 60 Hz	20 VA	20 VA
Voltage and Frequency Solenoid 9401/9404					
024	00	24 V d.c.	-	38 W	38 W
024	49	24 V a.c. *5)	40 ... 60 Hz	42 VA	42 VA
110	49	110 V a.c. *5)	40 ... 60 Hz	42 VA	42 VA
120	49	120 V a.c. *5)	40 ... 60 Hz	42 VA	42 VA
230	49	230 V a.c. *5)	40 ... 60 Hz	42 VA	42 VA
Voltage and Frequency Solenoid 8401/8404					
024	00	24 V d.c.	-	40 W	40 W
024	49	24 V a.c. *5)	40 ... 60 Hz	45 VA	45 VA
110	49	110 V a.c. *5)	40 ... 60 Hz	45 VA	45 VA
120	49	120 V a.c. *5)	40 ... 60 Hz	45 VA	45 VA
230	49	230 V a.c. *5)	40 ... 60 Hz	45 VA	45 VA

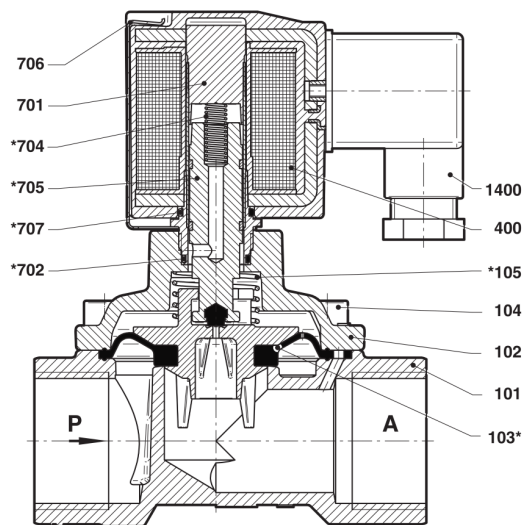
\*5) A.c. only with rectifier plug

\*6) d.c. only, for a.c. solenoids with design inspection certificate acc. to category 2, e. g. 6120/6140/6240

Further versions on request!

**Section View**

G1/4 ... 1 with solenoid 915x (10 bar)  
 1/4 ... 1 NPT with solenoid 915x (10 bar)



\* These individual parts form a complete wearing unit. When ordering spare parts please state Model No. and Series No.

**Electrical details for all solenoid systems**

Design	DIN VDE 0580
Voltage range	±10%
Duty cycle	100% ED
Protection class	EN 60529 IP65
Socket	Form A acc. to DIN EN 175301-803 (included)

According to DIN VDE 0580 at a solenoid temperature of +20°C. At operating state temperature the input power of a coil decreases by up to ca. 30% due to physical reasons.

**Additional solenoid systems for hazardous areas**

ATEX-category	ATEX-protection class	IP-protection class	Solenoid	Standard voltages
II 3G II 3D	Ex ec IIC T4 Gc Ex tc IIIC T130°C DC	IP65	9326 *6)	24 V d.c.
II 3G II 3D	Ex ec IIC T4 Gc Ex tc IIIC T130°C DC	IP65	8426 *6)	24 V d.c.
II 3G II 3D	Ex ec IIC T4 Gc Ex tc IIIC T130°C DC	IP65	9176 *6)	24 V d.c.
II 3G II 3D	Ex ec IIC T4 Gc Ex tc IIIC T130°C DC	IP65	9426 *6)	24 V d.c.
II 2G II 2D	Ex eb mb IIC T3 Gb Ex mb tb IIIB T140°C Db	IP66	6120	24 V d.c., 110 V a.c., 230 V a.c.
II 2G II 2D	Ex eb mb IIC T3 Gb Ex mb tb IIIB T135°C Db	IP66	6140	24 V d.c., 110 V a.c., 230 V a.c.
II 2G II 2D	Ex eb mb IIC T3 Gb Ex mb tb IIIB T140°C Db	IP66	6240	24 V d.c., 110 V a.c., 230 V a.c.

**Attention!**

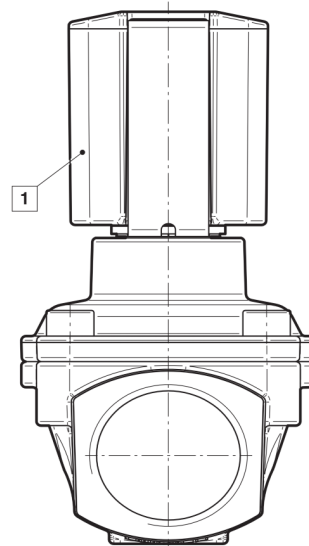
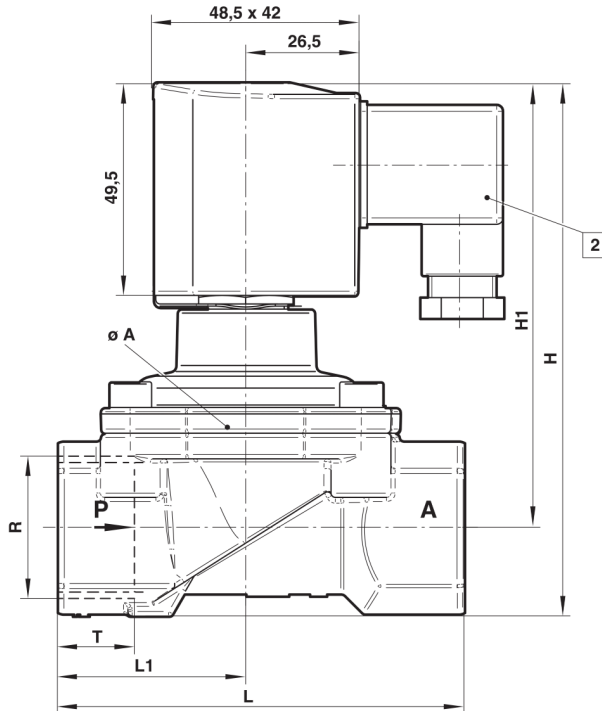
The conditions imposed on the Ex approvals lead to reduction of the permissible standard temperature ranges in the cases of explosion protected solenoids.

No.	Description
101	Valve body
102	Valve cover
*103	Diaphragm
104	Allen head screw
*105	Pressure spring
400	Solenoid
701	Core tube
*702	O-ring
*704	Pressure spring
*705	Core
706	Spring clip
*707	O-ring
1400	Socket (included)

**Dimensions**

G1/4 ... 1 with solenoid 915x (10 bar)  
 1/4 ... 1 NPT with solenoid 915x (10 bar)

Dimensions in mm  
 Projection/First angle



- 1 Solenoid rotatable 360°
- 2 Socket turnable 4 x 90°  
(Socket included)

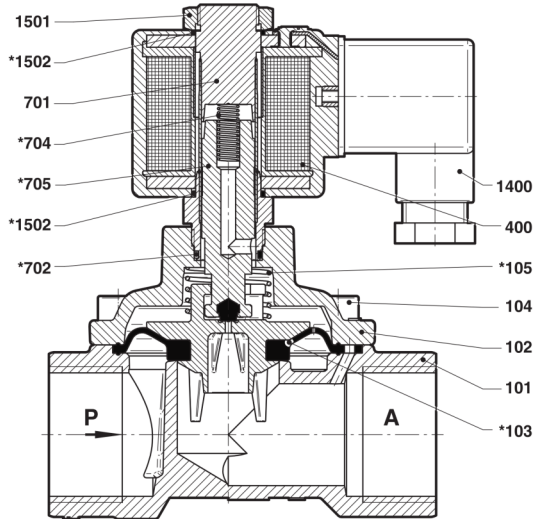
Port size R	ø A *8)	H	H1	L	L1	T	Model
G1/4	44	104	92,5	60	27,5	12	8254000.915x.xxxxx
1/4 NPT	44	104	92,5	60	27,5	10	8264000.915x.xxxxx
G3/8	44	104	92,5	60	27,5	12	8254100.915x.xxxxx
3/8 NPT	44	104	92,5	60	27,5	10,5	8264100.915x.xxxxx
G1/2	44	108	94,5	67	31	14	8254200.915x.xxxxx
1/2 NPT	44	108	94,5	67	31	13,5	8264200.915x.xxxxx
G3/4	50	115	99	80	36,5	16	8254300.915x.xxxxx
3/4 NPT	50	115	99	80	36,5	14	8264300.915x.xxxxx
G1	62	124	103,5	95	44	18	8254400.915x.xxxxx
1 NPT	62	124	103,5	95	44	17	8264400.915x.xxxxx

\*8) = A max depth

Section View and Dimensions

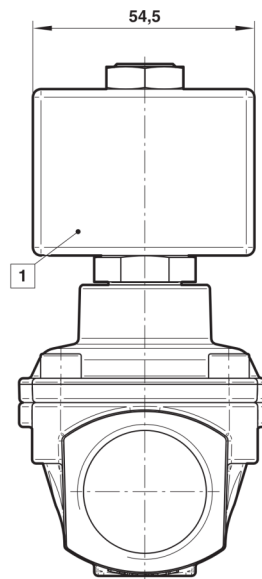
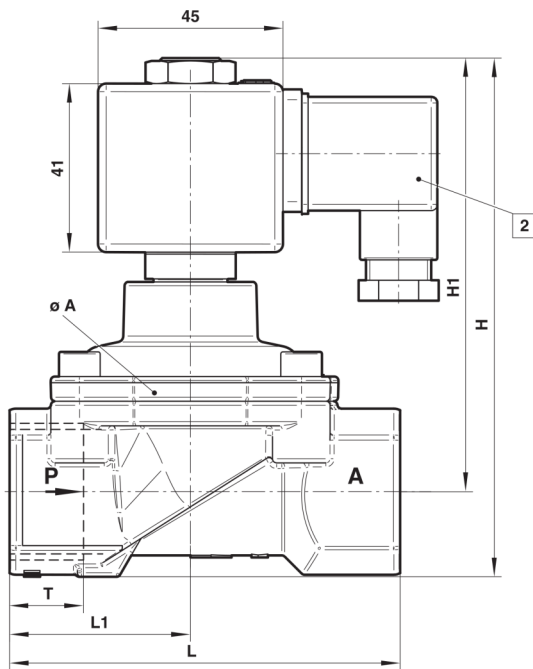
G1/4 ... 1 with solenoid 930x (16 bar)

1/4 ... 1 NPT with solenoid 930x (16 bar)



No.	Description
101	Valve body
102	Valve cover
*103	Diaphragm
104	Allen head screw
*105	Pressure spring
400	Solenoid
701	Core tube
*702	O-ring
*704	Pressure spring
*705	Core
1400	Socket (included)
1501	Special hexagon nut
*1502	O-ring (2x)

\* These individual parts form a complete wearing unit.  
When ordering spare parts please state Model No. and Series No.



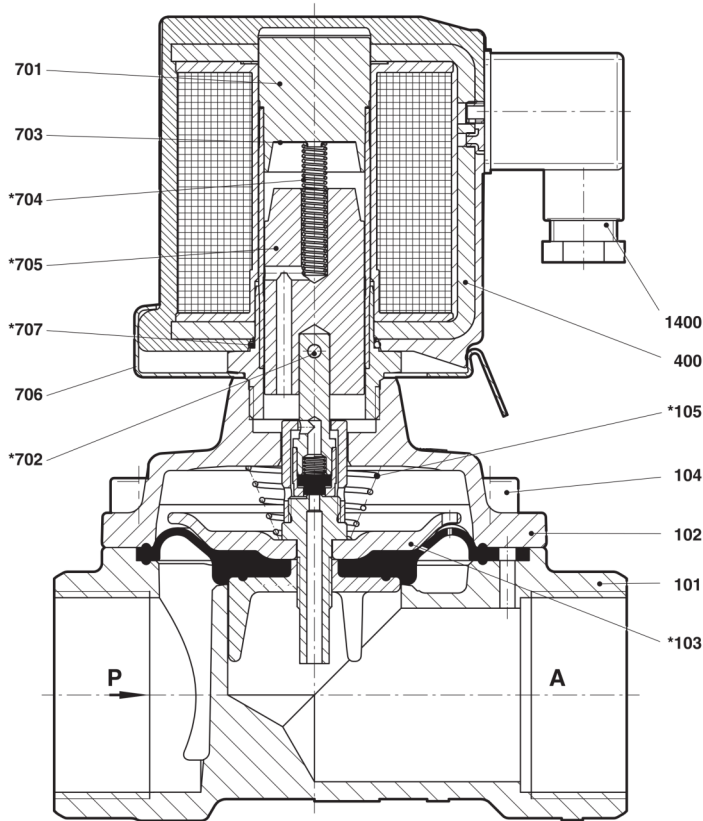
Dimensions in mm  
Projection/First angle



- 1 Solenoid rotatable 360°
- 2 Socket turnable 4 x 90°  
(Socket included)

Port size R	ø A *9)	H	H1	L	L1	T	Model
G1/4	44	104	92,5	60	27,5	12	8254000.930x.xxxxx
1/4 NPT	44	104	92,5	60	27,5	10	8264000.930x.xxxxx
G3/8	44	104	92,5	60	27,5	12	8254100.930x.xxxxx
3/8 NPT	44	104	92,5	60	27,5	10,5	8264100.930x.xxxxx
G1/2	44	108	94,5	67	31	14	8254200.930x.xxxxx
1/2 NPT	44	108	94,5	67	31	13,5	8264200.930x.xxxxx
G3/4	50	115	99	80	36,5	16	8254300.930x.xxxxx
3/4 NPT	50	115	99	80	36,5	14	8264300.930x.xxxxx
G1	62	124	103,5	95	44	18	8254400.930x.xxxxx
1 NPT	62	124	103,5	95	44	17	8264400.930x.xxxxx

\*9) ø A = max. depth

**Section View**
**G1 1/4 ... 2 with solenoid 940x (16 bar)**  
**1 1/4 ... 2 NPT with solenoid 940x (16 bar)**


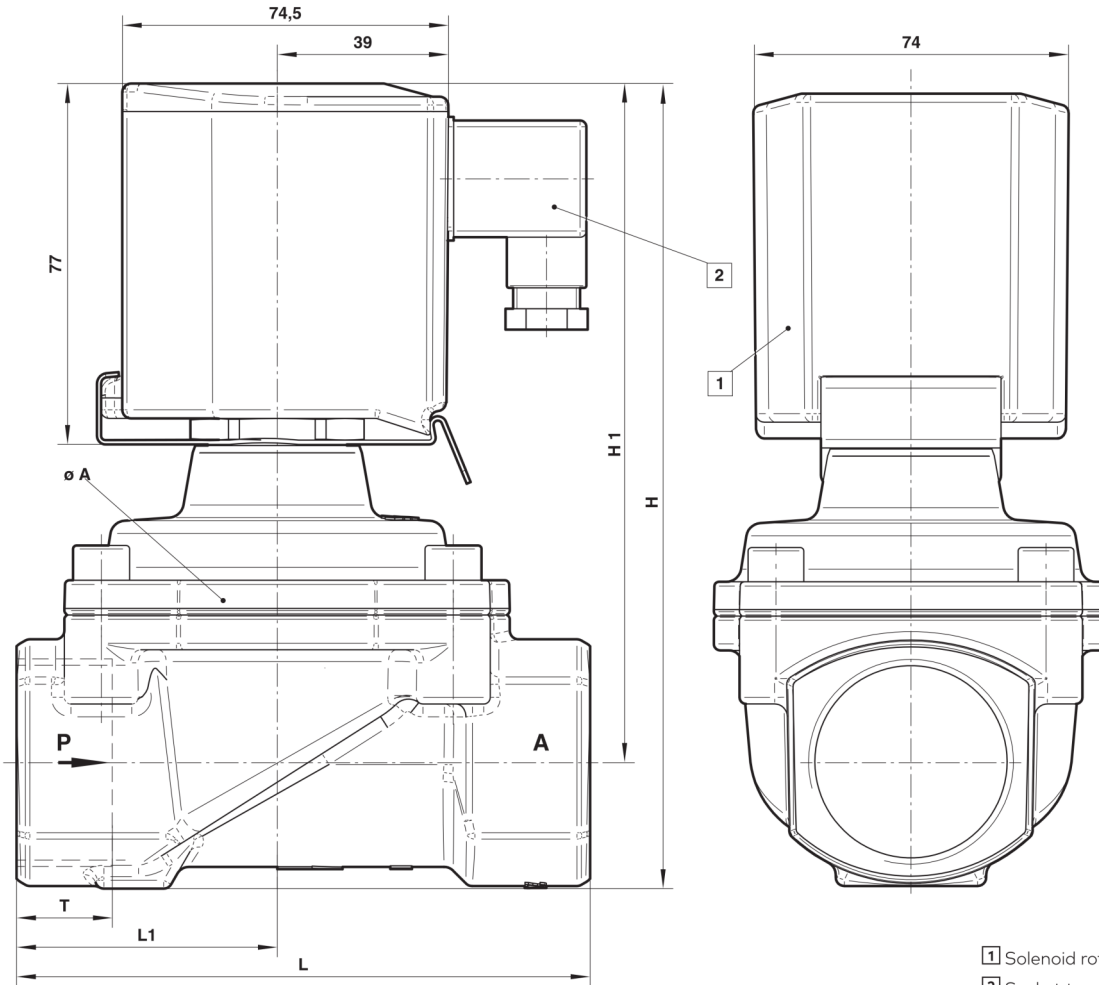
No.	Description
101	Valve body
102	Valve cover
*103	Diaphragm
104	Allen head screw
*105	Pressure spring
400	Solenoid
701	Core tube
*702	O-ring
703	Round plate
*704	Pressure spring
*705	Core
706	Spring clip
*707	O-ring
1400	Socket (included)

\* These individual parts form a complete wearing unit.  
 When ordering spare parts please state Model No. and Series No.



**Dimensions**

 Dimensions in mm  
 Projection/First angle

**G1 1/4 ... 2 with solenoid 940x (16 bar)**  
**1 1/4 ... 2 NPT with solenoid 940x (16 bar)**


- 1 Solenoid rotatable 360°
- 2 Socket turnable 4 x 90°  
(Socket included)

Port size R	ø A *10)	H	H1	L	L1	T	Model
G1 1/4	92	186	157	132	60	20	8254500.940x.xxxxx
1 1/4 NPT	92	186	157	132	60	17	8264500.940x.xxxxx
G1 1/2	92	186	157	132	60	22	8254600.940x.xxxxx
1 1/2 NPT	92	186	157	132	60	17	8264600.940x.xxxxx
G2	109	201,5	167	160	74	24	8254700.940x.xxxxx
2 NPT	109	201,5	167	160	74	17,5	8264700.940x.xxxxx

\*10) ø A = max. depth

**Note to Pressure Equipment Directive (PED):**

The valves of this series up to and including DN 25 (G1) are according to Art. 4 § 3 of the Pressure Equipment Directive (PED) 2014/68/EU. This means interpretation and production are in accordance to engineers practice wellknown in the member countries. The CE-sign at the valve does not refer to the PED. Thus the declaration of conformity is not longer applicable for this directive.

**For valves > DN 25 (G1) Art. 4 § (1) Letter d) applies:**

The basic requirements of the Enclosure I of the PED must be fulfilled. The CE-sign at the valve includes the PED. A certificate of conformity of this directive will be available on request.

**Note to Electromagnetic Compatibility Guideline (EEC):**

The valves shall be provided with an electrical circuit which ensures the limits of the harmonised standards EN 61000-6-3 and EN 61000-6-1 are observed, and hence the requirements of the Electromagnetic Compatibility Guideline (2014/30/EU) satisfied.

**Note to EAC marking:**

The EAC-marked products comply with the applicable requirements stated in the technical regulations of the Eurasian Economic Union.