

82380/82390/82480/82490

2/2-way seat valves

- > Port size: DN 15 ... 50, G1/2 ... 2 (ISO G/NPT)
- > Suitable for contaminated process fluids
- > High flow rate
- > High media compatibility due to optimal material combinations
- > For robust industry applications
- > Damped closing (valve closes against flow direction)
- > Suitable for vacuum up to max. 90%
- > International approvals



Technical features

Medium:

Aggressive gases and liquids

Pilot fluid:

Neutral gases max. +80°C (+176°F)

Switching function:

Normally closed

Operation:

Pressure actuated by external fluid

Mounting position:

Optional

Flow direction:

Determined

Port size:

G1/2, G3/4, G1, G1 1/4, G1 1/2, G2 1/2 NPT, 3/4 NPT, 1 NPT, 1 1/4 NPT, 1 1/2 NPT, 2 NPT

Pilot connection:

G1/4 or 1/4 NPT

Operating pressure:

See table

Pilot pressure:

3,5 ... 8 bar (51 ... 116 psi)

Fluid temperature:

-10° ... +180°C (+14° ... +356°F)

Ambient temperature:

-10° ... +60°C (+14° ... +140°F)

Material:
Process fluid characteristics:

Body: Stainless steel (1.4408)

Seat seal: PTFE

Internal parts: Stainless steel

Spindle sealing: PTFE / FPM, self-adjustable

Pilot fluid characteristics:

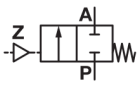
Body: Stainless steel, Aluminium

Bottom: WEMA-Kor, coated

Seals: NBR

Internal parts: Coated steel

Technical data – standard models

Symbol	Port size	Orifice (mm)	Actuator ø (mm)	Flow kv value *1) (m³/h)	Operating pressure *2)		Weight *3) (kg)	Model *3)
					(bar)	(psi)		
	G1/2	15	70	4,8	0 ... 16	0 ... 232	1,3	8238200.0000.00000
	1/2 NPT	15	70	4,8	0 ... 16	0 ... 232	1,3	8239200.0000.00000
	G3/4	20	70	10	0 ... 10	0 ... 145	1,4	8238300.0000.00000
	3/4 NPT	20	70	10	0 ... 10	0 ... 145	1,4	8239300.0000.00000
	G1	25	70	14	0 ... 10	0 ... 145	1,7	8238400.0000.00000
	1 NPT	25	70	14	0 ... 10	0 ... 145	1,7	8239400.0000.00000
	G1 1/4	32	70	23	0 ... 7	0 ... 101	2,4	8238500.0000.00000
	1 1/4 NPT	32	70	23	0 ... 7	0 ... 101	2,4	8239500.0000.00000
	G1 1/2	40	70	30	0 ... 4,5	0 ... 65	2,6	8238600.0000.00000
	1 1/2 NPT	40	70	30	0 ... 4,5	0 ... 65	2,6	8239600.0000.00000
	G2	50	70	37	0 ... 3	0 ... 43	3,8	8238700.0000.00000
	2 NPT	50	70	37	0 ... 3	0 ... 43	3,8	8239700.0000.00000
	G1/2	15	125	4,8	0 ... 40	0 ... 580	4,2	8248200.0000.00000
	1/2 NPT	15	125	4,8	0 ... 40	0 ... 580	4,2	8249200.0000.00000
	G3/4	20	125	10	0 ... 40	0 ... 580	4,3	8248300.0000.00000
	3/4 NPT	20	125	10	0 ... 40	0 ... 580	4,3	8249300.0000.00000
	G1	25	125	14	0 ... 25	0 ... 362	4,5	8248400.0000.00000
	1 NPT	25	125	14	0 ... 25	0 ... 362	4,5	8249400.0000.00000
	G1 1/4	32	125	27	0 ... 16	0 ... 232	5,1	8248500.0000.00000
	1 1/4 NPT	32	125	27	0 ... 16	0 ... 232	5,1	8249500.0000.00000
	G1 1/2	40	125	37	0 ... 10	0 ... 145	5,5	8248600.0000.00000
	1 1/2 NPT	40	125	37	0 ... 10	0 ... 145	5,5	8249600.0000.00000
	G2	50	125	53	0 ... 10	0 ... 145	7	8248700.0000.00000
	2 NPT	50	125	53	0 ... 10	0 ... 145	7	8249700.0000.00000

*1) Cv-value (US) = kv value x 1,2

*2) For gases and liquid fluids up to 600 mm²/s (cSt)

*3) Without pilot valve

Option selector

Actuator	Substitute
ø 70	3
ø 125	4
Thread form	Substitute
ISO G	8
NPT	9
Port size	Substitute
1/2	2
3/4	3
1	4
1 1/4	5
1 1/2	6
2	7

82***.0000.00000**

Valve options	Substitute
Normally open (NO), closes with pilot pressure and opens with spring force (pilot pressure 2 ... 6 bar (29 ... 87 psi))	01
Seals FPM Temperature max. +180°C	03
Operating pressure G1/2 0 ... 25 bar (0 ... 362 psi) G3/4 0 ... 16 bar (0 ... 232 psi)	22
Electrical position indicator with 2 limit switches Sol switch: protection class IP 67, LED, 2 m cable LifYY 2 x 0,25 qmm Type: NAMUR DIN EN 60947-5-6	40
Electrical position indicator with 2 limit switches Sol switch: 10 ... 30 V DC, 3-wire, NOC, PNP, short-circuit proof, protection class IP 67, LED yellow, 2 m cable PVC 3 x 0,25 qmm	41
Optical position indicator	52
Fluid temperature max. +200°C	59
Spindle seal with stainless steel bellows	80

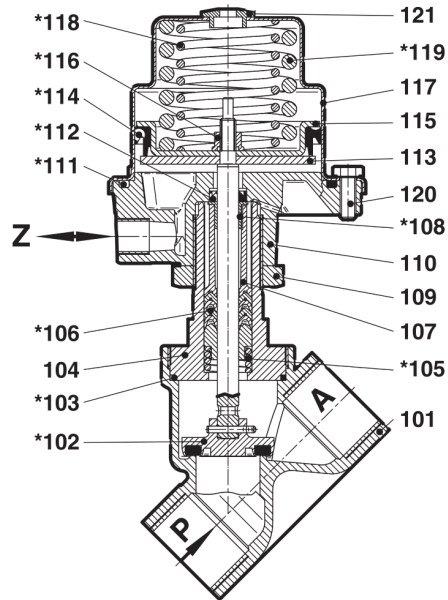
Notes
for 3/2-way pilot valve 84660 / 84680

Material	Body Aluminium
Pilot fluid temperature	max. +60°C
Pilot pressure	1 ... 10 bar
Standard voltages	24 V d.c., 24 V a.c., 230 V a.c.

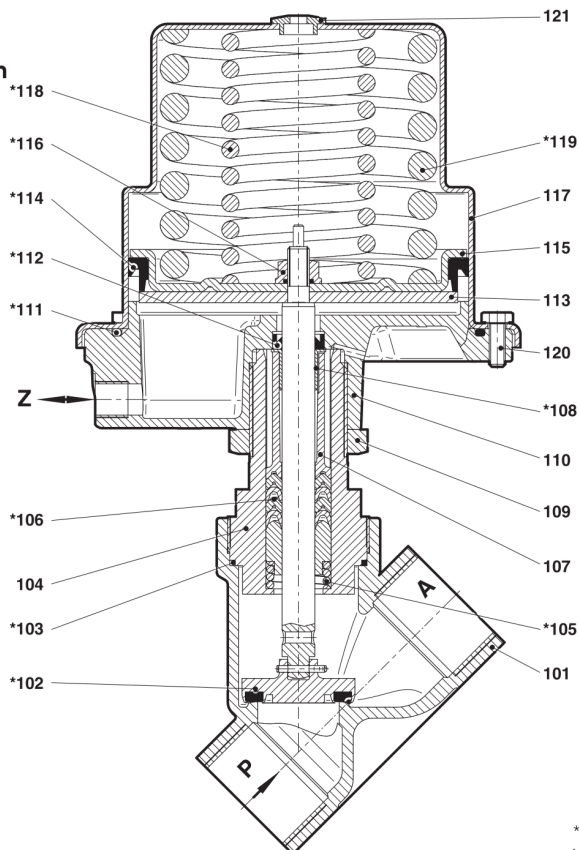
Electrical Data
for 3/2-way pilot valve 84660 / 84680

Design acc. to	DIN VDE 0580
Voltage range	±10%
Duty cycle	100% ED
Protection class	EN 60529 IP65 with mounted socket
Socket	Form A acc. to DIN EN 175301-803 (included)
Technical data	See publication N/en 5.8.640

Further versions on request!

Section View
G1/2 ... 2
1/2 ... 2 NPT
Actuator ø 70 mm


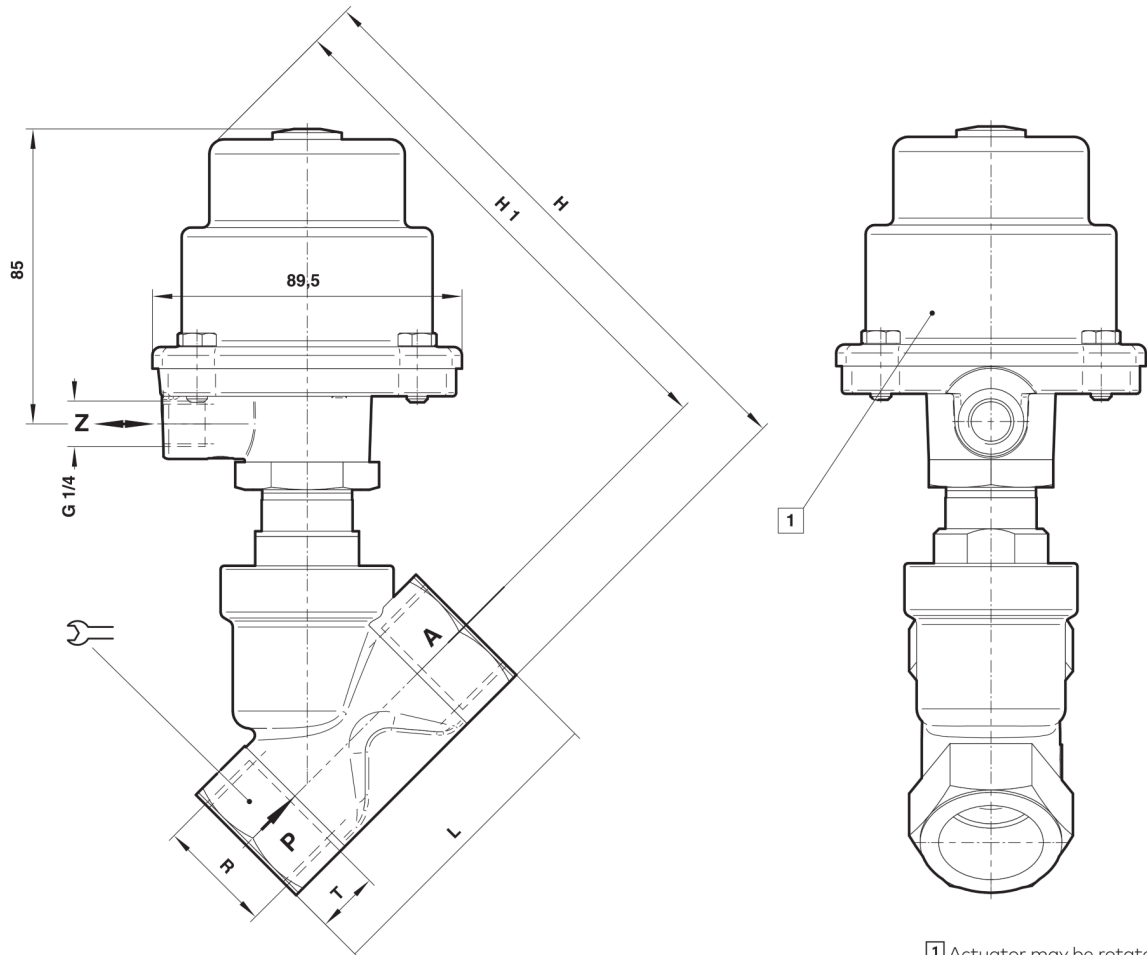
No.	Description
101	Valve body
*102	Valve spindle, complete
*103	Seal ring
104	Screw piece
*105	Pressure spring
*106	Seal packing
107	Spacer bush
*108	Plain bearing
109	Nut
110	Control head housing cover, bottom part
*111	O-ring
*112	FPM-Grooved ring
113	Round plate
*114	Grooved ring
115	Round plate
*116	Seal-lock-nut
117	Control head housing
*118	Pressure spring only with G1 und G2
*119	Pressure spring
120	Hexagon screw
121	Plug

Section View
G1 1/4 ... 2
1/2 ... 2 NPT
Actuator ø 125 mm



No.	Description
101	Valve body
*102	Valve spindle, complete
*103	Seal ring
104	Screw piece
*105	Pressure spring
*106	Seal packing
107	Spacer bush
*108	Plain bearing
109	Nut
110	Control head housing cover, bottom part
*111	O-ring
*112	FPM-Grooved ring
113	Round plate
*114	Grooved ring
115	Round plate
*116	Seal-lock-nut
117	Control head housing
*118	Pressure spring only with G1 und G2
*119	Pressure spring
120	Hexagon screw
121	Plug

* These individual parts form a complete wearing unit.
When ordering spare parts please state Model No. and Series No.

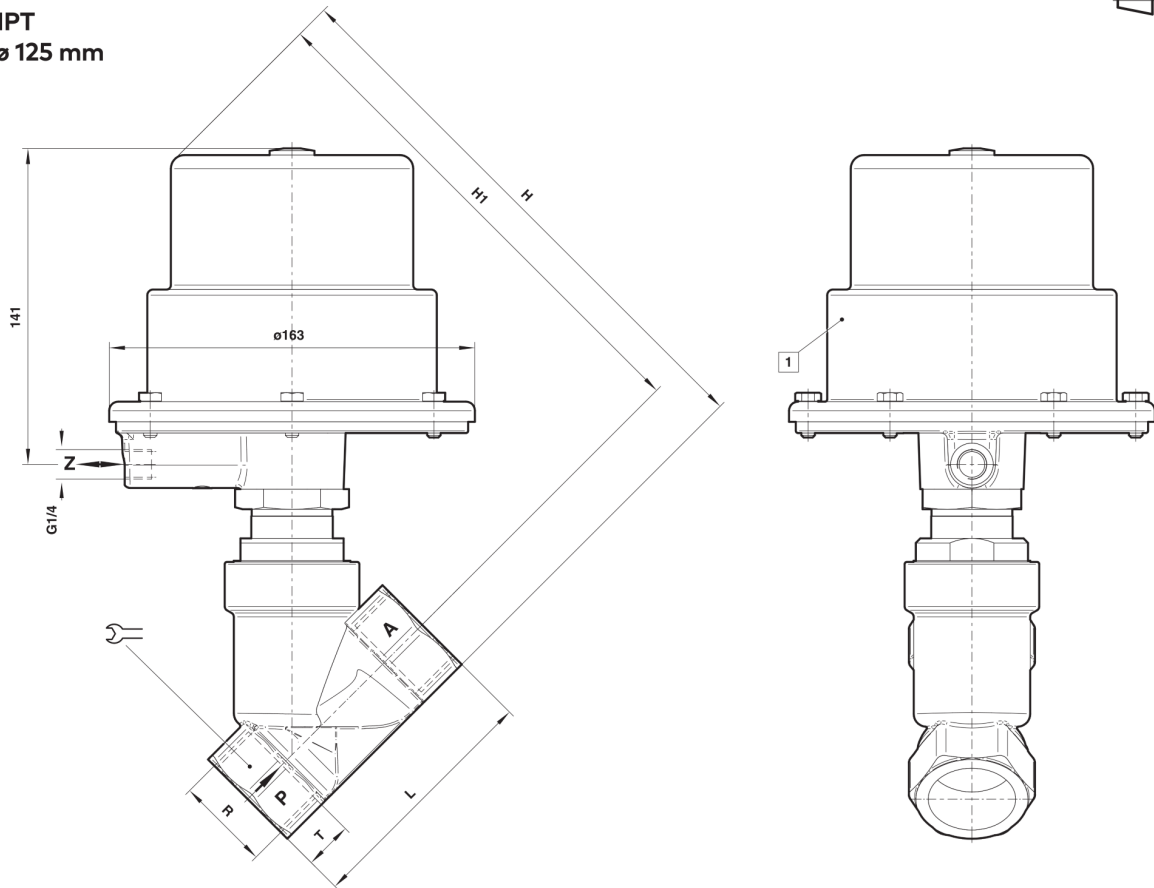
Dimensions
**G1/2 ... 2
1/2 ... 2 NPT
Actuator ø 70 mm**

 Dimensions in mm
Projection/First angle



1 Actuator may be rotated 360°

Port size R	Actuator ø	H	H1	L	T		Model
G1/2	70	154	140	65	15	27	8238200.0000.00000
1/2 NPT	70	154	140	65	13,6	27	8239200.0000.00000
G3/4	70	160	144	75	16,5	32	8238300.0000.00000
3/4 NPT	70	160	144	75	14,1	32	8239300.0000.00000
G1	70	170	150	90	19	41	8238400.0000.00000
1 NPT	70	170	150	90	16,8	41	8239400.0000.00000
G1 1/4	70	186	161	110	21,5	50	8238500.0000.00000
1 1/4 NPT	70	186	161	110	17,3	50	8239500.0000.00000
G1 1/2	70	190	162	120	21,5	55	8238600.0000.00000
1 1/2 NPT	70	190	162	120	17,3	55	8239600.0000.00000
G2	70	206	171	150	26	70	8238700.0000.00000
2 NPT	70	206	171	150	17,8	70	8239700.0000.00000

Dimensions
G1 1/4 ... 2
1 1/4 ... 2 NPT
Actuator ø 125 mm

 Dimensions in mm
 Projection/First angle


1 Actuator may be rotated 360°

Port size R	Actuator ø	H	H1	L	T		Model
G1/2	125	232	218	65	15	27	8248200.0000.00000
1/2 NPT	125	232	218	65	13,6	27	8249200.0000.00000
G3/4	125	236	220	75	16,5	32	8248300.0000.00000
3/4 NPT	125	236	220	75	14,1	32	8249300.0000.00000
G1	125	246	226	90	19	41	8248400.0000.00000
1 NPT	125	246	226	90	16,8	41	8249400.0000.00000
G1 1/4	125	250	226	110	21,5	50	8248500.0000.00000
1 1/4 NPT	125	250	226	110	17,3	50	8249500.0000.00000
G1 1/2	125	254	226	120	21,5	55	8248600.0000.00000
1 1/2 NPT	125	254	226	120	17,3	55	8249600.0000.00000
G2	125	270	235	150	26	70	8248700.0000.00000
2 NPT	125	270	235	150	17,8	70	8249700.0000.00000

Note to Pressure Equipment Directive (PED):

The valves of this series up to and including DN 25 (G1) are according to Art. 4 § 3 of the Pressure Equipment Directive (PED) 2014/68/EU. This means interpretation and production are in accordance to engineers practice wellknown in the member countries. The CE-sign at the valve does not refer to the PED. Thus the declaration of conformity is not longer applicable for this directive.

For valves > DN 25 (G1) Art. 4 § (1) Letter d) applies:

The basic requirements of the Enclosure I of the PED must be fulfilled. The CE-sign at the valve includes the PED. A certificate of conformity of this directive will be available on request.

Note to Electromagnetic Compatibility Guideline (EEC):

The valves shall be provided with an electrical circuit which ensures the limits of the harmonised standards EN 61000-6-3 and EN 61000-6-1 are observed, and hence the requirements of the Electromagnetic Compatibility Guideline (2014/30/EU) satisfield.

Note to EAC marking:

The EAC-marked products comply with the applicable requirements stated in the technical regulations of the Eurasian Economic Union.